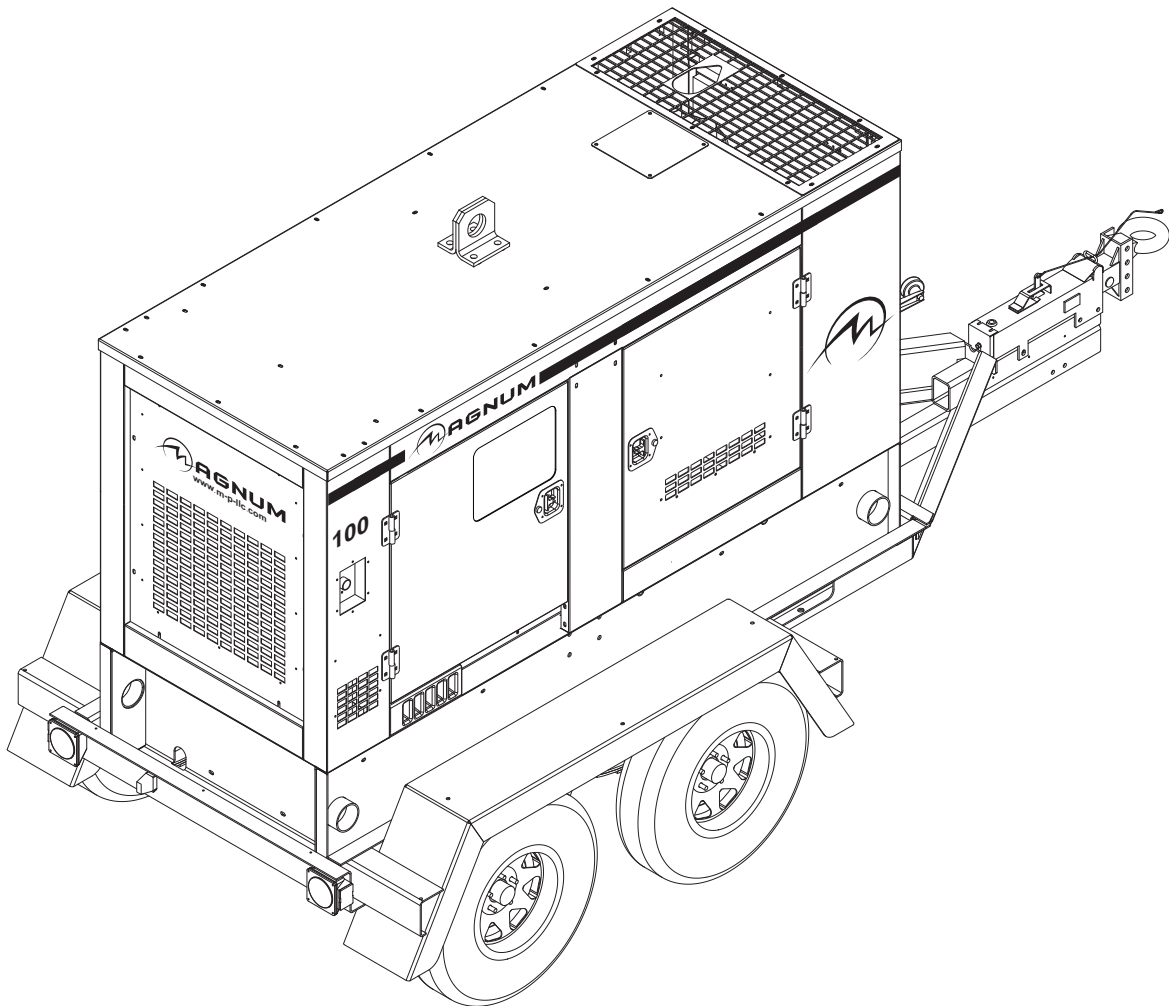




MAGNUM™

POWER PRODUCTS LLC

DIESEL GENERATOR MMG100C



PARTS MANUAL

INTRODUCTION

Before servicing this machine, make sure the engine start switch is turned to off "O", the circuit breakers are open (off, "O"), the emergency stop switch is closed (pushed in), and the negative (-) terminal on battery is disconnected. Attach a "DO NOT START" sign to the control panel. This will notify everyone that the unit is being serviced and will reduce the chance of someone inadvertently trying to start the unit. If the unit is connected to a remote start or transfer switch, make sure the remote switch is also off and tagged.

▲ WARNING

Before operating or servicing this equipment, read and understand the Magnum Power Operating Manual which was included with the unit when shipped from the factory. Failure to do so increases the risk of injury to yourself or others.

MAGNUM POWER PRODUCTS LLC

215 Power Drive • Berlin, WI 54923

U.S.A.

Phone: 920-361-4442

FAX: 920-361-4416

Toll Free: 1-800-926-9768

www.m-p-llc.com

For technical or parts QUESTIONS, please contact Magnum Power Products' Customer Support or Technical Support team at 920-361-4442 or toll free at 1-800-926-9768. Please have your serial number available.

To ORDER SERVICE PARTS, please contact the dealer from which you purchased the unit, or call Magnum Power Products to locate a dealer in your area.

Engine Make: _____

Engine Serial Number: _____

Engine Model Number: _____

Generator Make: _____

Generator Model Number: _____

Generator Serial Number: _____

Unit Model Number: _____

Unit Serial Number: _____

▲ WARNING

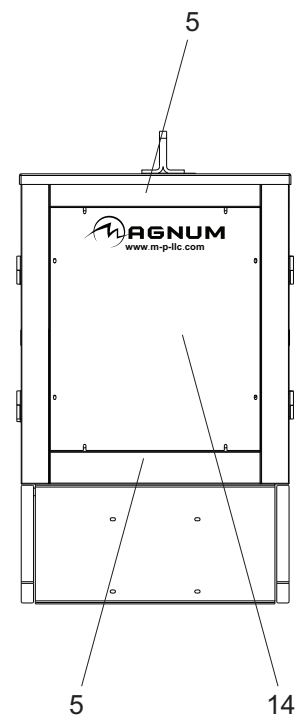
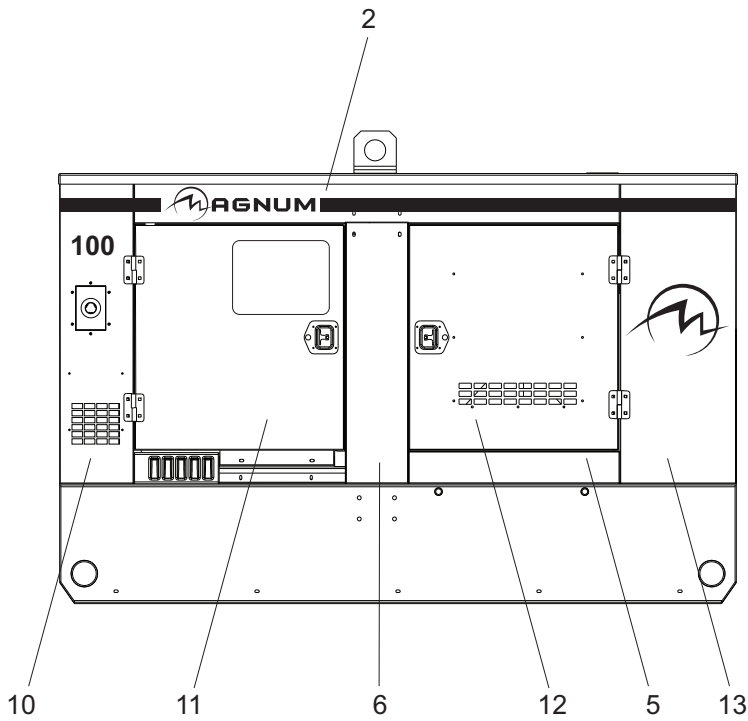
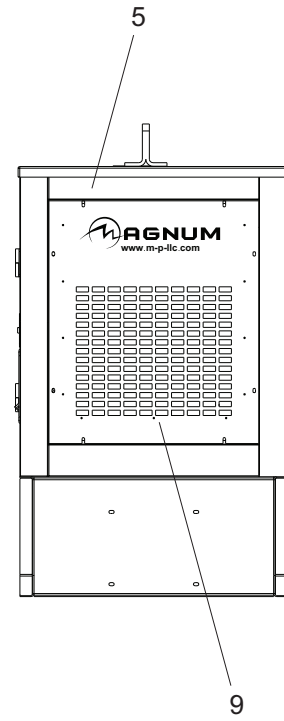
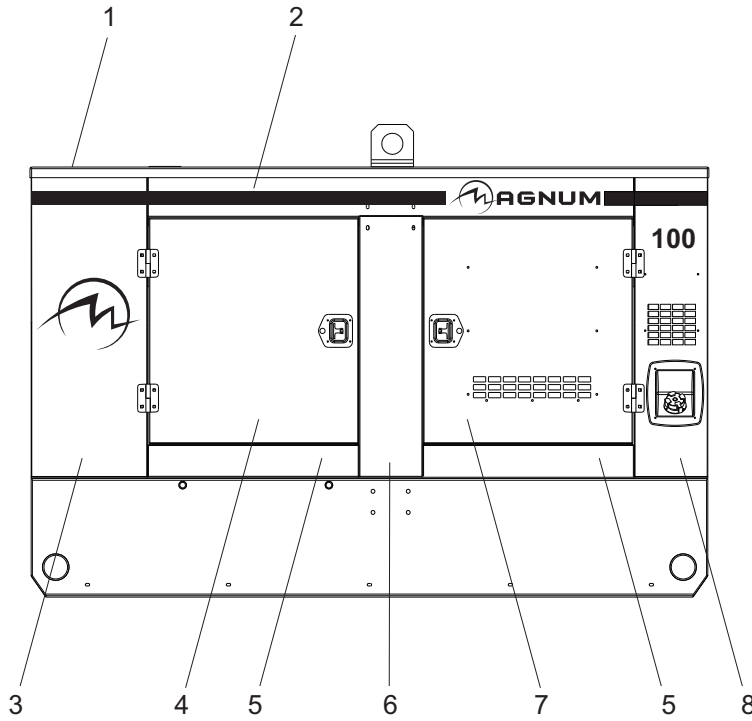
CALIFORNIA PROPOSITION 65 WARNING:

Diesel engine exhaust and some of its constituents are known to the state of California to cause cancer, birth defects and other reproductive harm.

TABLE OF CONTENTS

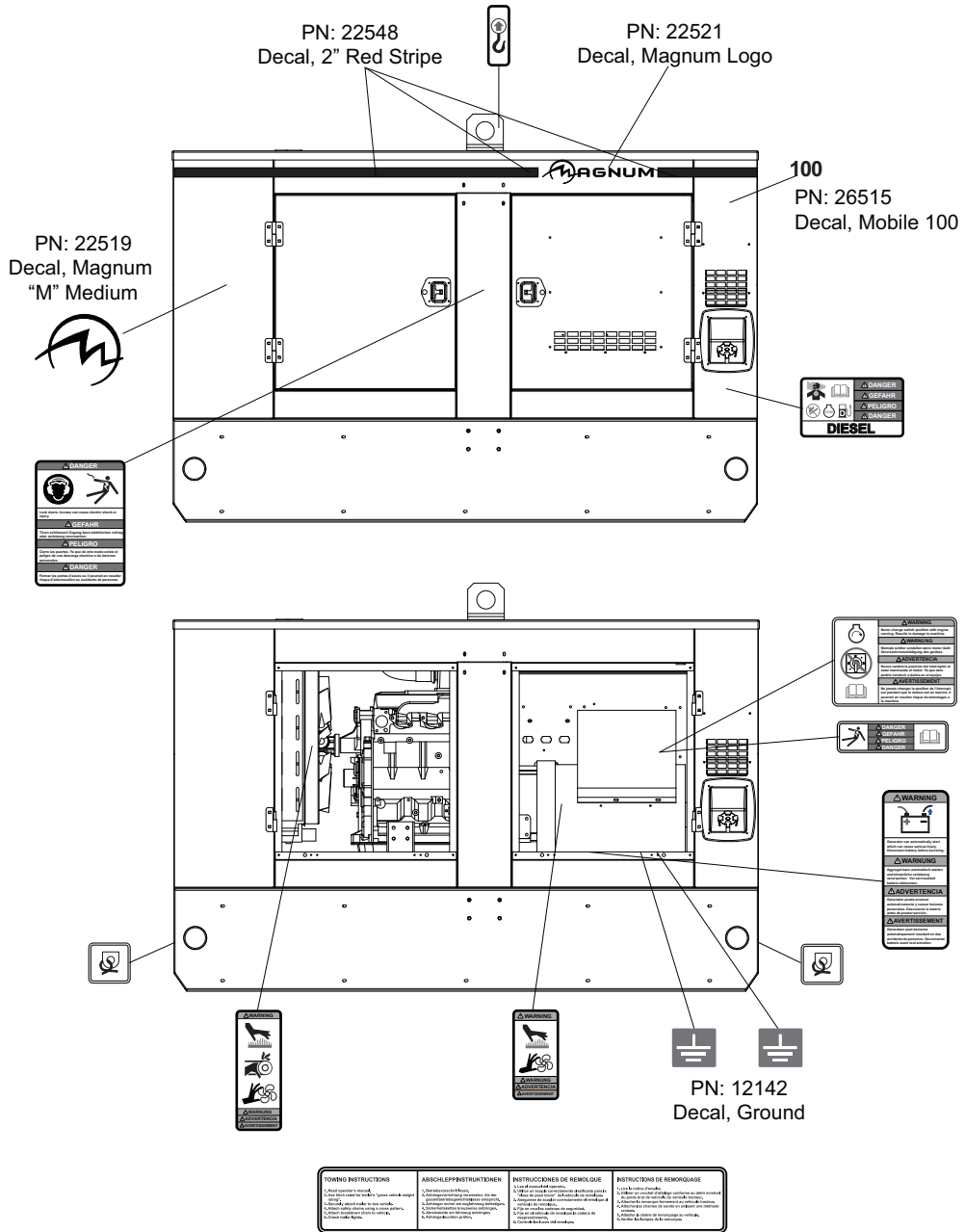
	Page
INTRODUCTION	2
ENCLOSURE COMPONENTS	4
UNIT DECALS	6
UNIT DECALS (CONTINUED)	7
LUG BOX DOOR ASSEMBLY	8
LUG PLATE ASSEMBLY	9
LUG BOX ASSEMBLY	10
CIRCUIT BREAKER ASSEMBLY	11
CONTROL PANEL ASSEMBLY	12
CONTROL BOX ASSEMBLY	14
CONTROL PANEL AND BOX ASSEMBLY	16
EXHAUST SYSTEM ASSEMBLY	17
COOLING SYSTEM ASSEMBLY	18
ENGINE ASSEMBLY	20
ENGINE MOUNT ASSEMBLY	23
FUEL TANK ASSEMBLY	24
GENERATOR BOX ASSEMBLY	26
GENERATOR ASSEMBLY	28
SKID ASSEMBLY	30
ENGINE TO SKID ASSEMBLY	32
FRONT SIDE PANEL ASSEMBLIES	34
ROOF ASSEMBLY	35
RIGHT REAR SIDE PANEL ASSEMBLY	36
LEFT REAR SIDE PANEL ASSEMBLY	38
LEFT FRONT DOOR ASSEMBLY	40
RIGHT FRONT DOOR ASSEMBLY	42
LEFT REAR DOOR ASSEMBLY	44
CONTROL DOOR ASSEMBLY	46
TOP AND CENTER SIDE PANEL ASSEMBLIES	47
FRONT AND REAR PANEL ASSEMBLIES	48
END/SIDE PANEL ASSEMBLY	49
TRAILER ASSEMBLY - SINGLE AXLE	50
TRAILER ASSEMBLY - TANDEM AXLE	52
NOTES	54

ENCLOSURE COMPONENTS



ITEM	PAGE NO.	QTY	DESCRIPTION	NOTES
1	Page 35	1	Roof assembly	
2	Page 47	2	Top side panel assembly	
3	Page 34	1	Left front side panel assembly	
4	Page 40	1	Left front door assembly	
5	Page 49	7	End/side panel assembly	
6	Page 47	2	Center side panel assembly	
7	Page 44	1	Left rear door assembly	
8	Page 38	1	Left rear side panel assembly	
9	Page 48	1	Rear panel assembly	
10	Page 36	1	Right rear side panel assembly	
11	Page 46	1	Control door assembly	
12	Page 42	1	Right front door assembly	
13	Page 34	1	Right front side panel assembly	
14	Page 48	1	Front panel assembly	

UNIT DECALS



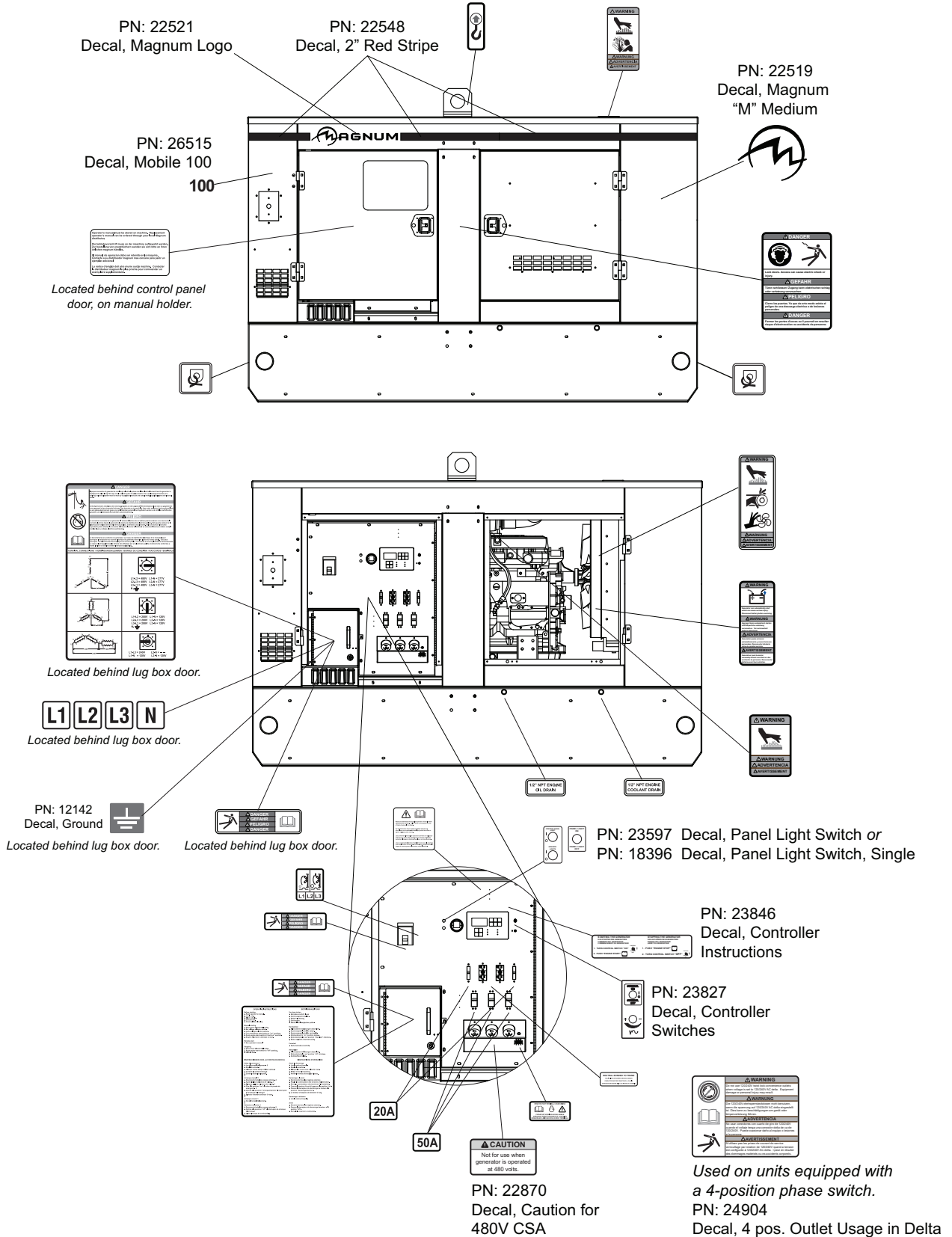
Located on tongue of trailered units.



PN: 11275
Magnum Logo w/ web, red vinyl
Used on front and rear panels

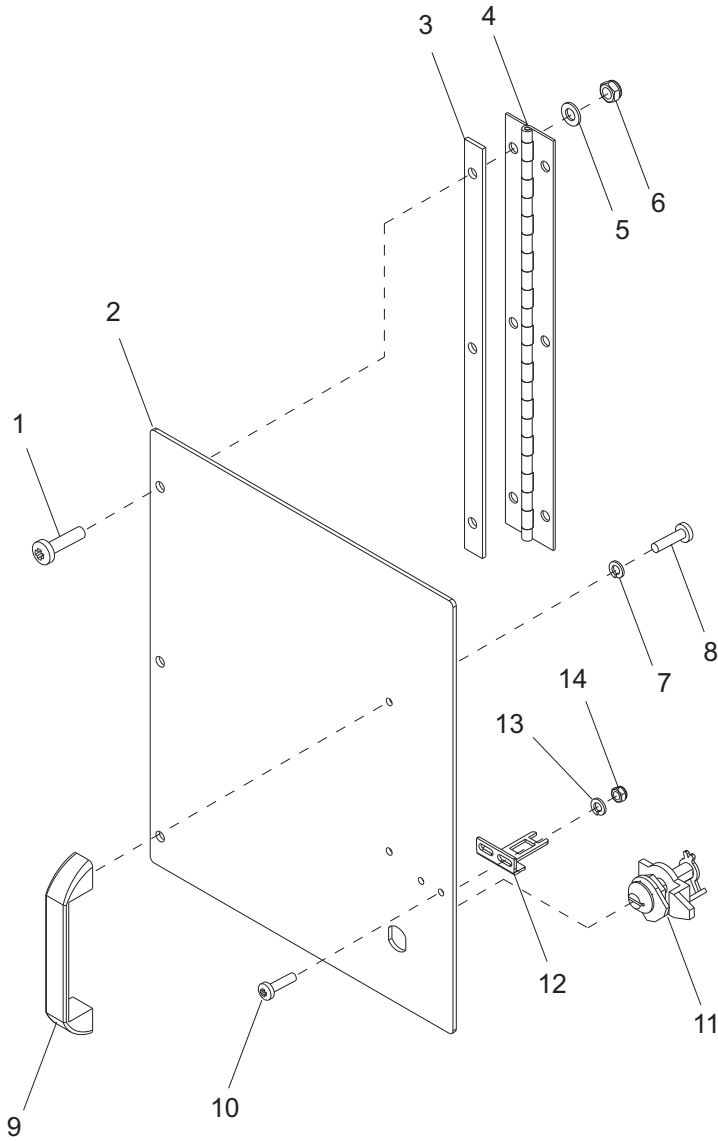
Note: All safety and operating decals are located on decal sheet 26514, unless otherwise noted.

UNIT DECALS (CONTINUED)



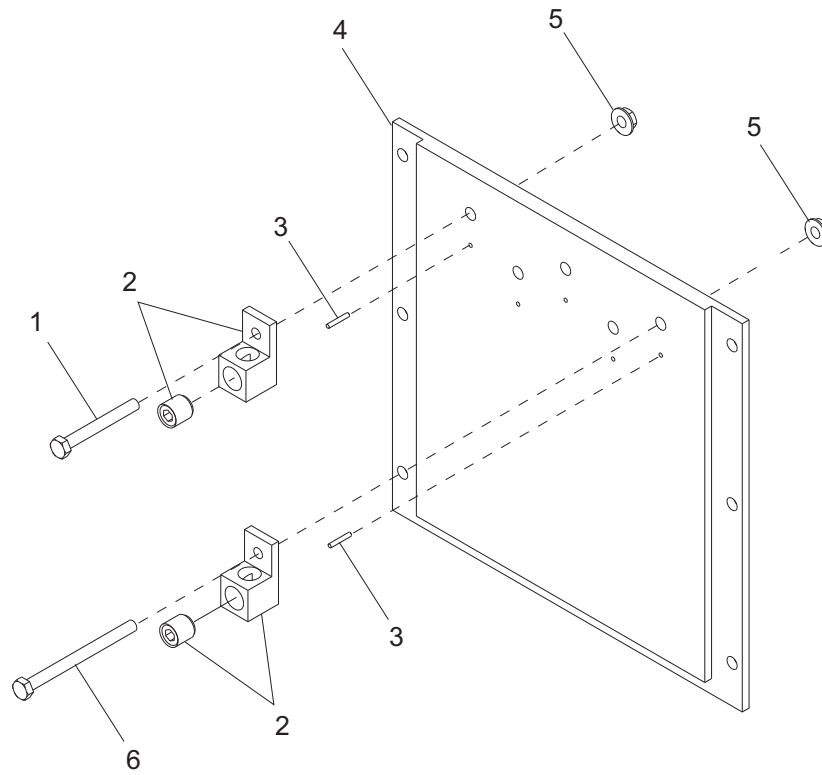
Note: All safety and operating decals are located on decal sheet 26514, unless otherwise noted.

LUG BOX DOOR ASSEMBLY



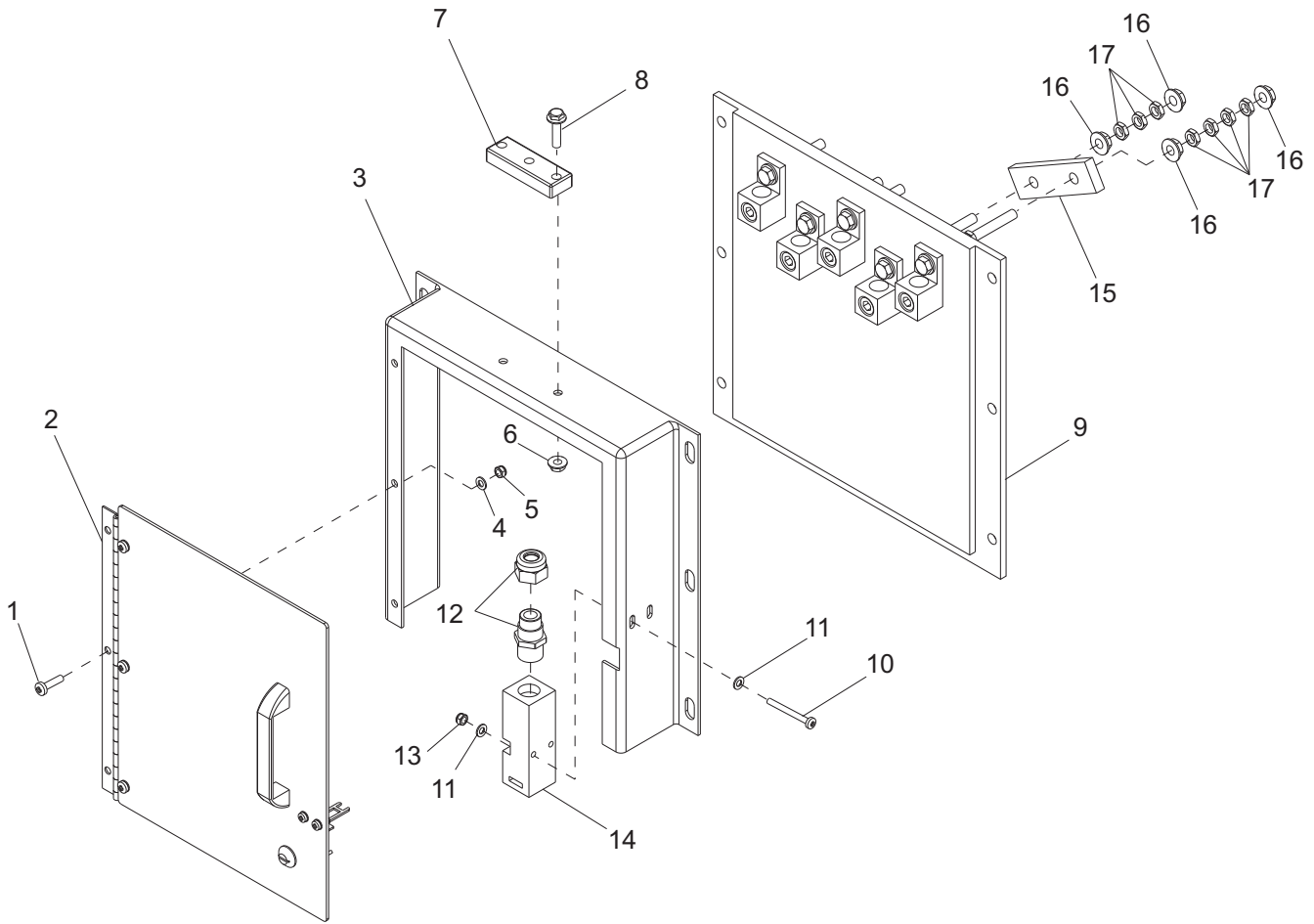
ITEM	PART NO.	QTY	DESCRIPTION	NOTES
1	60398	3	Screw, 10-32x.50 pan phil, SS	
2	20681W	1	Door, lug	
3	20684W	1	Spacer, hinge - lug door	
4	18746	1	Hinge, lug door - 11.125 in	
5	60237	3	Washer, #10 flat .495/.036	
6	61045	3	Nut, 10-32 sflg	
7	60252	2	Washer, #10 split lock	
8	60068	2	Screw, 10-24x.500 pan phil	
9	18893	1	Handle, lug door	
10	60526	2	Screw, 8-32x.500 pan phil	
11	20762	1	Lock, door - 1/4 turn cam	
12	18112	1	Key, lockout switch (90 deg)	
13	60269	2	Washer, #8 flat .433/.036	
14	60318	2	Nut, 8-32 hex	

LUG PLATE ASSEMBLY



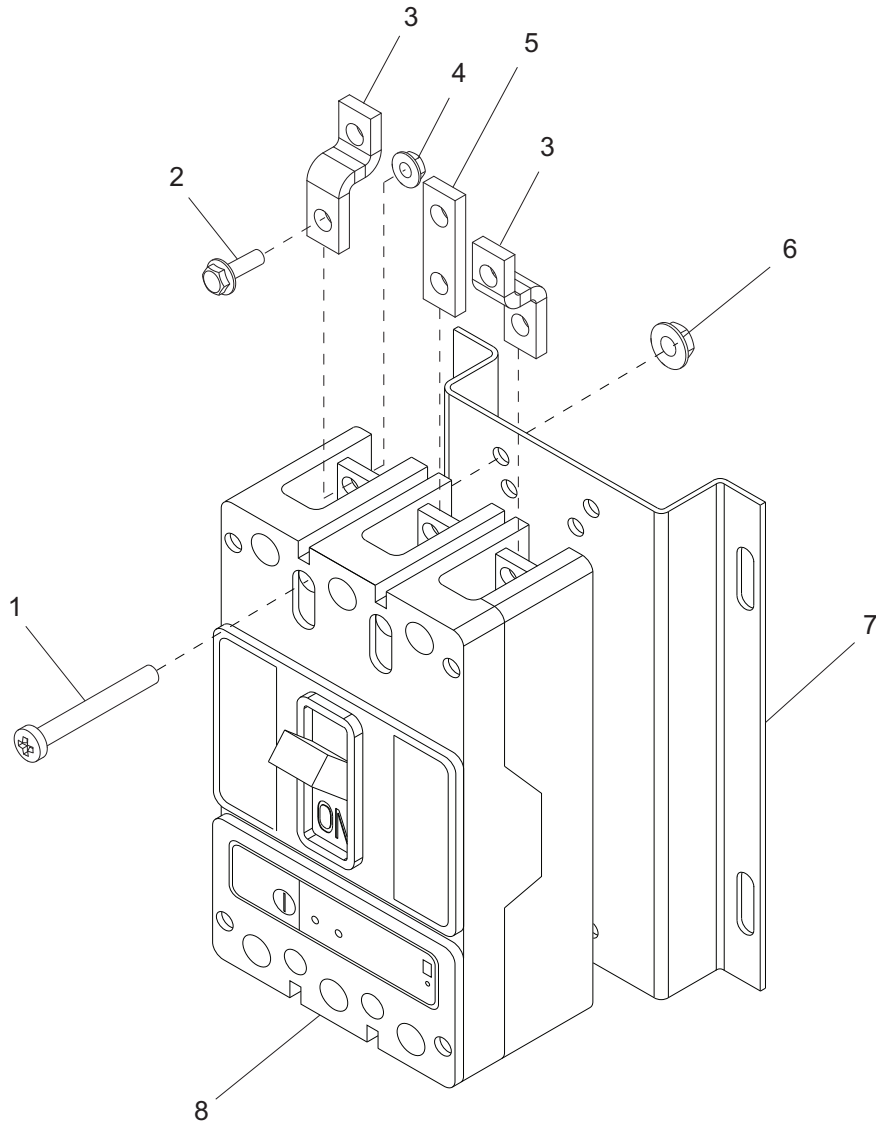
ITEM	PART NO.	QTY	DESCRIPTION	NOTES
1	60737	3	Screw, .312-18x2.5" std hex	
2	65344	5	Lug, terminal - single #6-350MCM	
3	60048	5	Pin, roll .125x.625	
4	18613	1	Plate, glastic	
5	60095	5	Nut, .312-18 sflg	
6	60404	2	Screw, .312-18x4" std hex	

LUG BOX ASSEMBLY



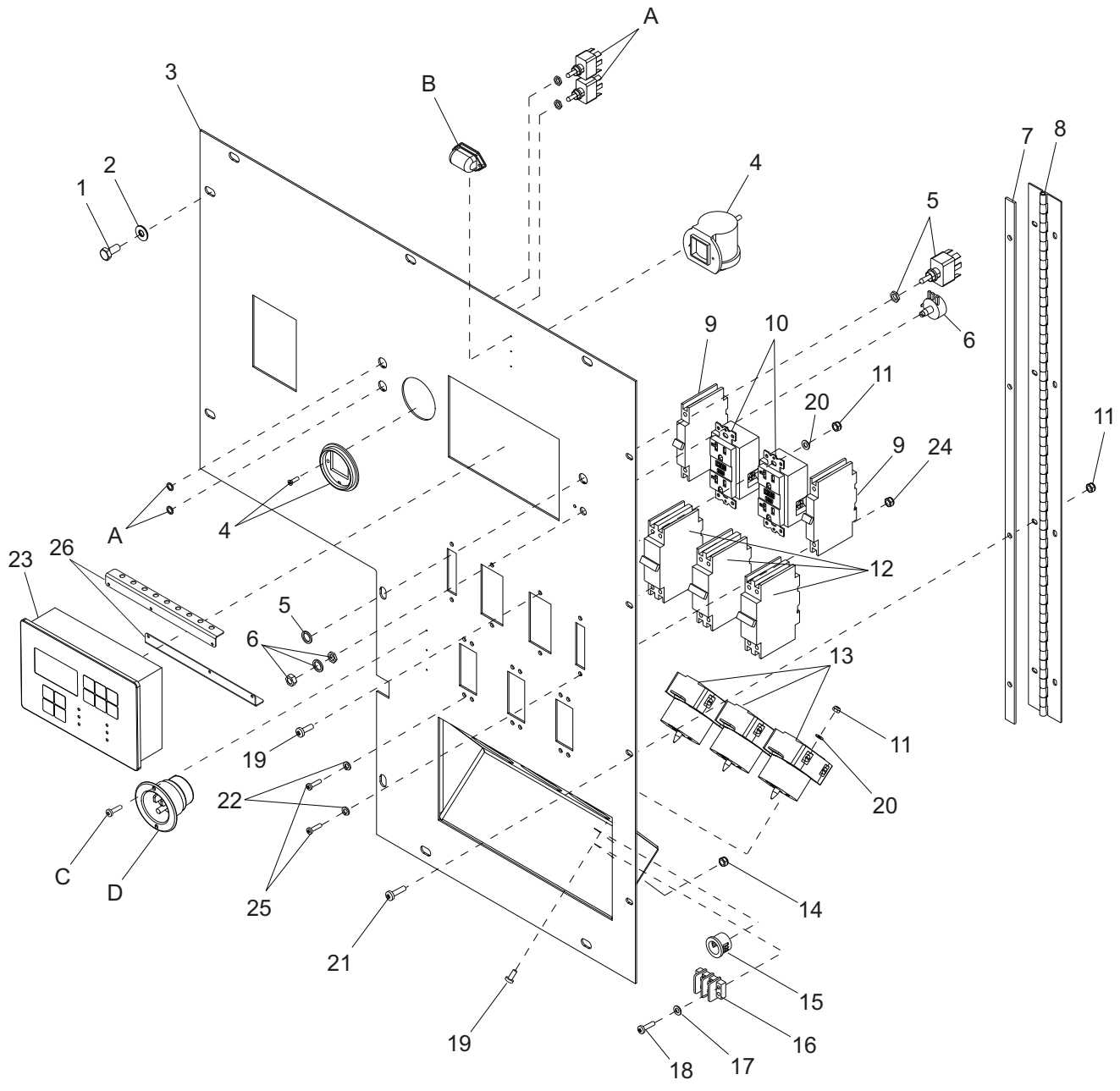
ITEM	PART NO.	QTY	DESCRIPTION	NOTES
1	60398	3	Screw, 10-32x.5" pan phil, SS	
2	Page 8	1	Assembly, lug door	
3	20680W	1	Panel, lug box	
4	60237	3	Washer, #10 flat .495/.036	
5	61045	3	Nut, 10-32 sflg	
6	60161	2	Nut, .250-20 sflg	
7	18936Z	1	Bracket, door prop	
8	60479	2	Screw, .250-20x1" sflg hex	
9	Page 9	1	Assembly, lug plate	
10	60525	2	Screw, 8-32x1.500 pan phil	
11	60269	4	Washer, #8 flat .433/.036	
12	15864	1	Strain relief - .50NPT watertight	
13	60270	2	Nut, 8-32 nylock	
14	18111	1	Switch, lockout, 1 NO/1 NC	
15	19410	1	Connector, LO to grnd	
16	60095	4	Nut, .312-18 sflg	
17	60285	7	Nut, .312-18 hex	

CIRCUIT BREAKER ASSEMBLY



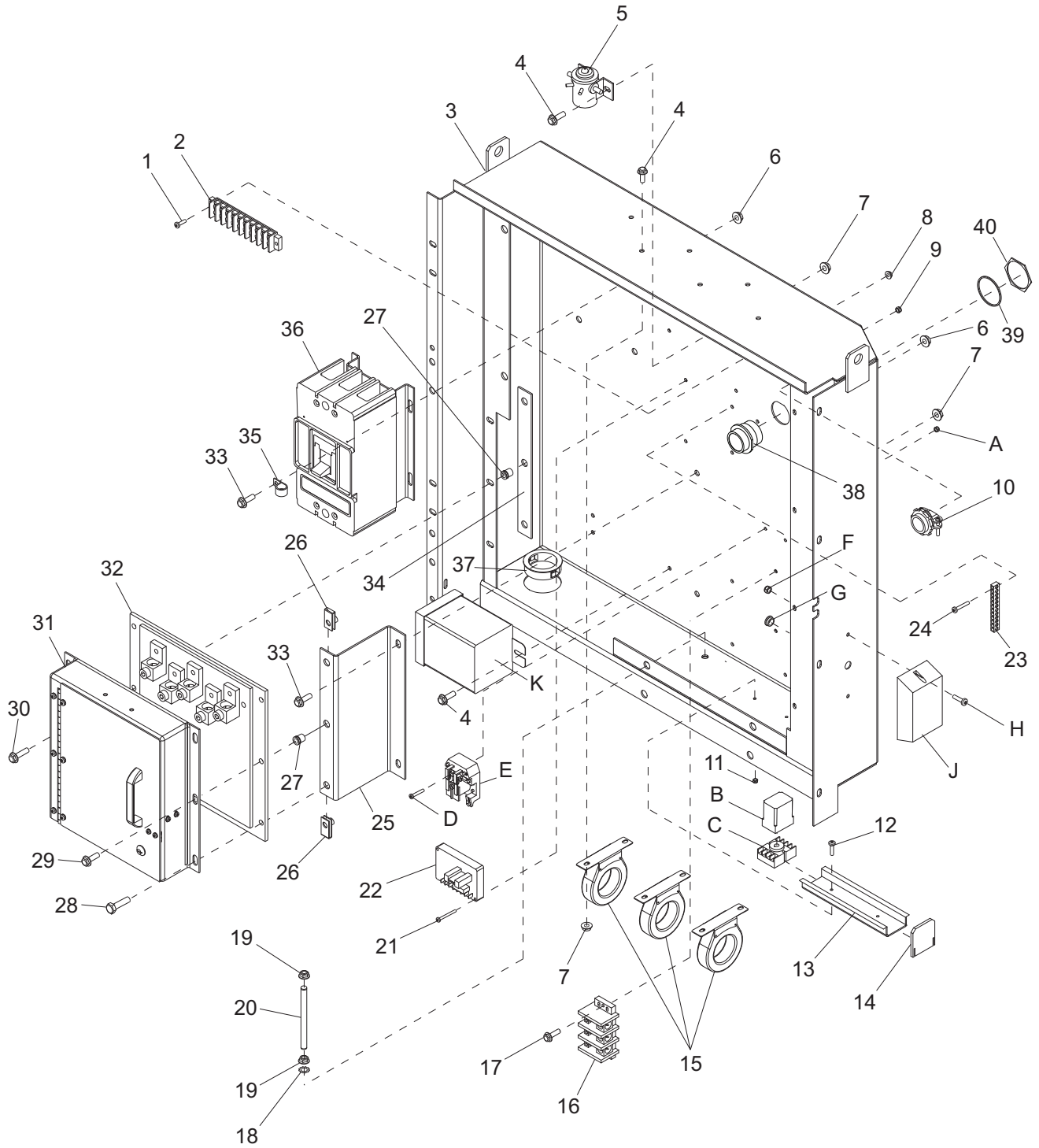
ITEM	PART NO.	QTY	DESCRIPTION	NOTES
1	60143	4	Screw, .250-20x2" pan phil	
2	61091	6	Screw, .312-18x1" sflg hex	
3	65292	2	Bus, 400A brkr connection	
4	60095	6	Nut, .312-18 sflg	
5	65291	1	Bus, 400A brkr connection	
6	60161	4	Nut, .250-20 sflg	
7	18019B	1	Bracket, breaker mounting	
8	65383	1	Breaker, 400A/12-24VDC	Shunt trip

CONTROL PANEL ASSEMBLY



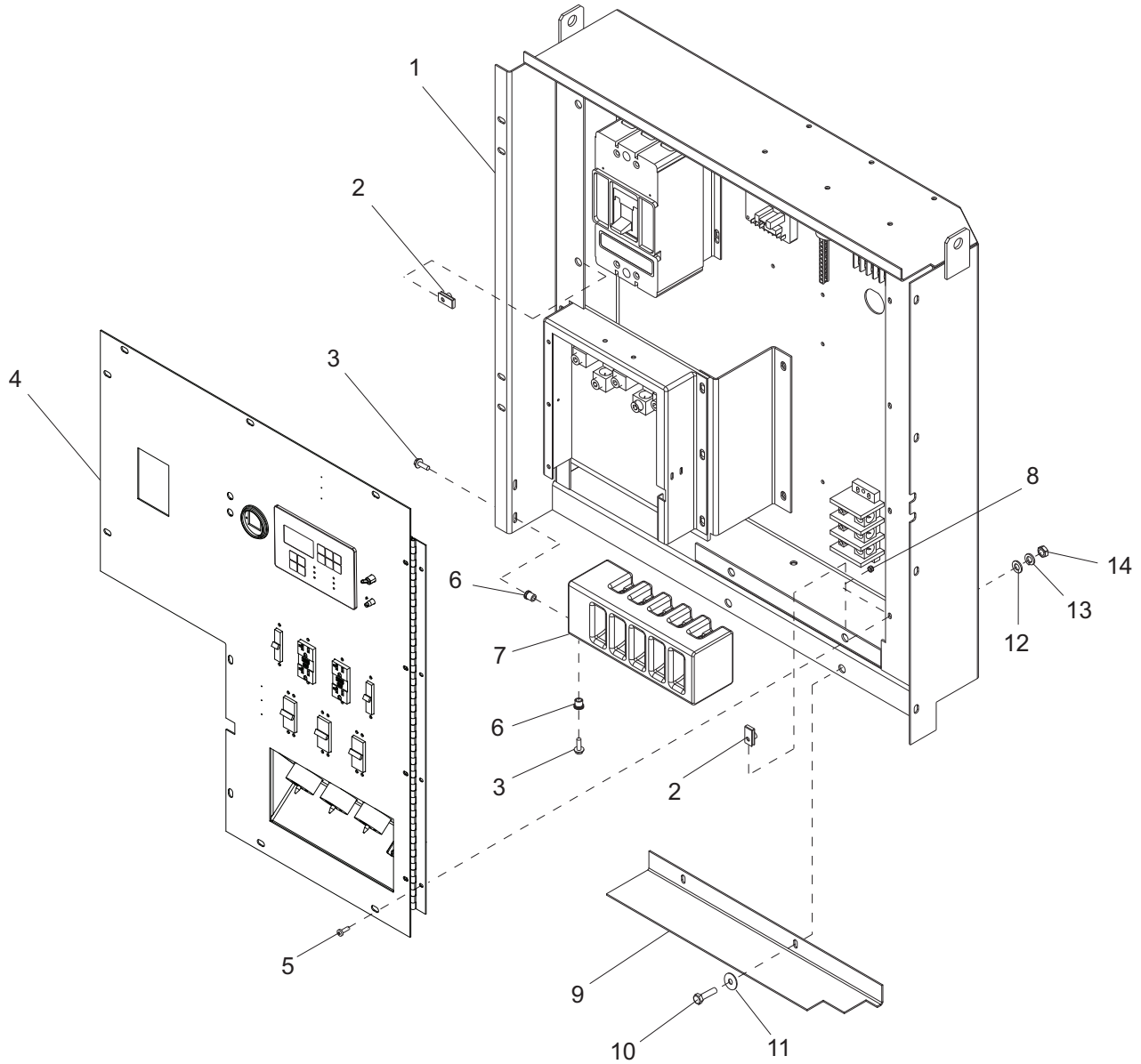
ITEM	PART NO.	QTY	DESCRIPTION	NOTES
1	60507	9	Screw, .312-18x1" hex, SS	
2	60452	9	Washer, .313 flat 1.125-1.0, SS	Bonded rubber
3	23834W	1	Plate, controller	
4	18609	1	Kit, filter minder gauge	
5	25077	1	Switch, toggle - SPST 20A VAC	
6	26229	1	Kit, voltage adjustment potentiometer	
7	22209W	1	Spacer, hinge - left	
8	22208	1	Hinge, lft - 28.00 in	
9	18091	2	Breaker, 20A/240V, 1-pole	
10	14130	2	Receptacle, 120V/20A GFI	
11	60457	14	Nut, 10-24 nylock	
12	18092	3	Breaker, 50A/240V, 2-pole	
13	18089	3	Receptacle, 120/240V 50A	Twist-lock
14	60270	2	Nut, 8-32 nylock	
15	19163	1	Bushing, .500x.375 ID	
16	18890	1	Block, terminal, 2 pos.	
17	60269	2	Washer, #8 flat .433/.036	
18	60406	2	Screw, 8-32x1" pan phil	
19	60068	10	Screw, 10-24x.5" pan phil	
20	60237	10	Washer, #10 flat .495/.036	
21	60524	4	Screw, 10-24x.625 pan phil	
22	60058	16	Washer, split lock #6	
23	30686	1	Controller, programmed	
24	60728	4	Nut, 6-32 nylock	
25	60046	16	Screw, 6-32x.75 pan phil	
26	29893	2	Bracket, control board wire guide	
--	18934	1	Guard, potentiometer	Not shown
A	25077	2	Switch, toggle - SPST 20A VAC	Option: interior lights
B	23025	1	Light, interior control panel	Option
C	60480	2	Screw, 10-16x.75 pan phil	Option
D	65285	1	Receptacle, 120V/15A inlet	Option: battery charger

CONTROL BOX ASSEMBLY



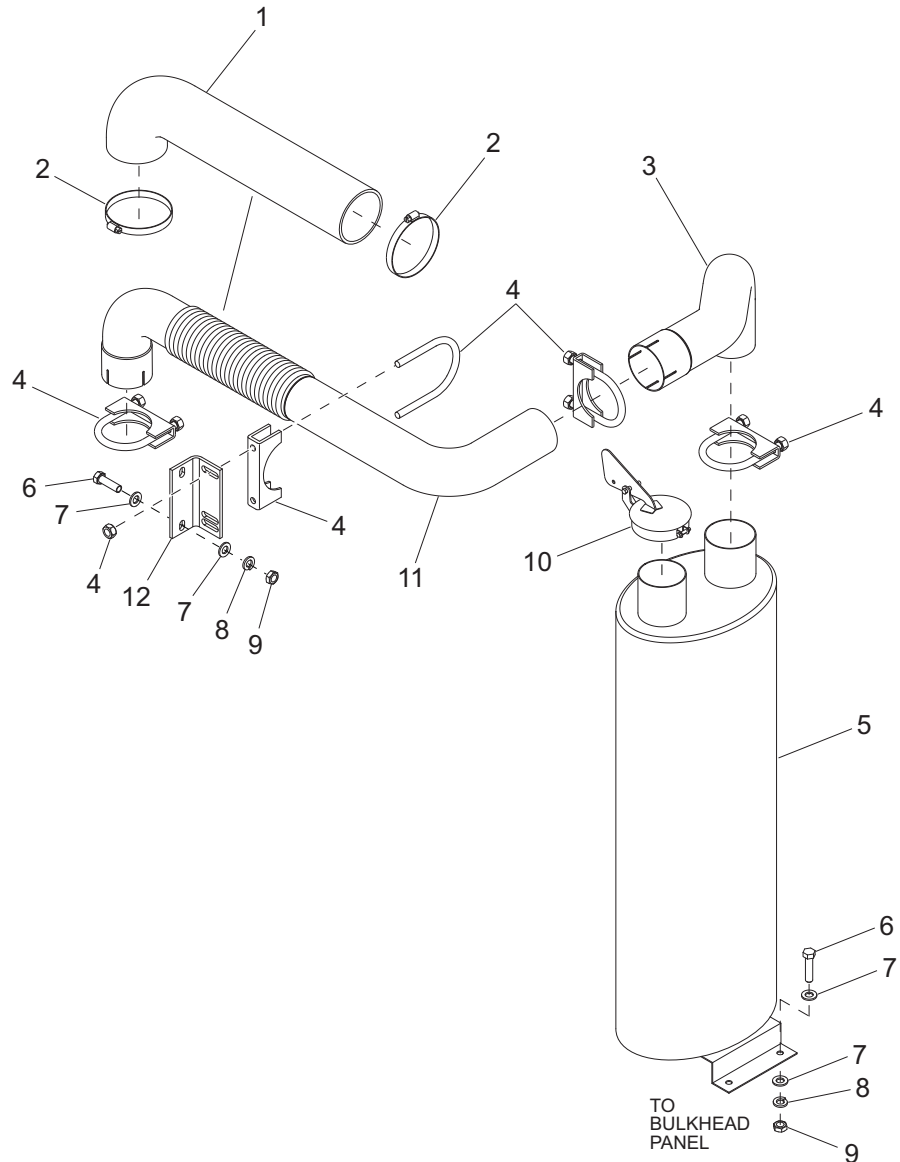
ITEM	PART NO.	QTY	DESCRIPTION	NOTES
1	60062	2	Screw, 10-32x.75 pan phil	
2	14203	1	Block, terminal - 10 pos.	
3	26326B	1	Weldment, control box	
4	60175	10	Screw, .250-20x.5 sflg hex	
5	18081	1	Relay, 65A SPST 12VDC	Ignition solenoid
6	60095	6	Nut, .312-18 sflg	
7	60161	10	Nut, .250-20 sflg	
8	61045	2	Nut, 10-32 sflg	
9	60457	2	Nut, 10-24 nylock	
10	14202	1	Strain relief- .375 Romex w/nut	
11	60415	2	Nut, 10-32 nylock	
12	60398	2	Screw, 10-32x.5 pan phil, SS	
13	66003	1	Rail, din - 35mm x 6.00"	
14	65674	2	Stop, 35mm din rail end	
15	65443	3	Transformer, current (500:5A)	
16	65356	1	Block, terminal - 3-pole	
17	60479	2	Screw, .250-20x1" sflg hex	
18	60069	1	Washer, M8 ext. star	
19	60020	2	Nut, M8-1.25 sflg lock	
20	18992	1	Stud, ground	
21	60406	2	Screw, 8-32x1" pan phil	
22	18556	1	Regulator, voltage - SE350	
23	14204	1	Kit, ground bar	
24	60533	2	Screw, 10-24x1.5 pan phil	
25	23081B	1	Bracket, glastic plate	
26	60505	2	Nut, U-clip .312-18	
27	60022	4	Insert, M8 threaded	
28	60507	2	Screw, .312-18x1 hex, SS	
29	60009	1	Screw, M8-1.25x25 sflg hex	
30	60160	3	Screw, M8-1.25x30 sflg hex	
31	Page 10	1	Assy, lug door/panel	
32	Page 9	1	Plate - assy, lug	
33	61091	6	Screw, .312-18x1.0 sflg hex	
34	19267B	1	Plate, glastic bracket	
35	15627	1	Clamp, tubing - .625	
36	Page 11	1	Assembly, circuit breaker	
37	18496	1	Bushing - 2.5 ODx2.0 ID	
38	65309	1	Connector, 21 pin Deutsch	
39	65417	1	Washer, lock, 21 pin Deutsch	
40	65416	1	Nut, 21 pin Deutsch plug	
A	60061	2	Nut, 10-32 nylock	Option
B	66340	1	Relay, voltage sensing (132in,126out)	Option
C	65644	1	Base, relay - 8 pos.	Option
D	60396	2	Screw, 10-32x1.25 pan phil	Option
E	65461	1	Relay, 30A DPDT 120VAC	Option
F	60457	2	Nut, 10-24 nylock	Option
G	19163	1	Bushing - .5 ODx.375 ID	Option
H	60524	2	Screw, 10-24x.625 pan phil	Option
J	65326	1	Battery charger - 2A, 3 stage	Option
K	21487	1	Transformer, 1.13:1 (buck)	Option

CONTROL PANEL AND BOX ASSEMBLY



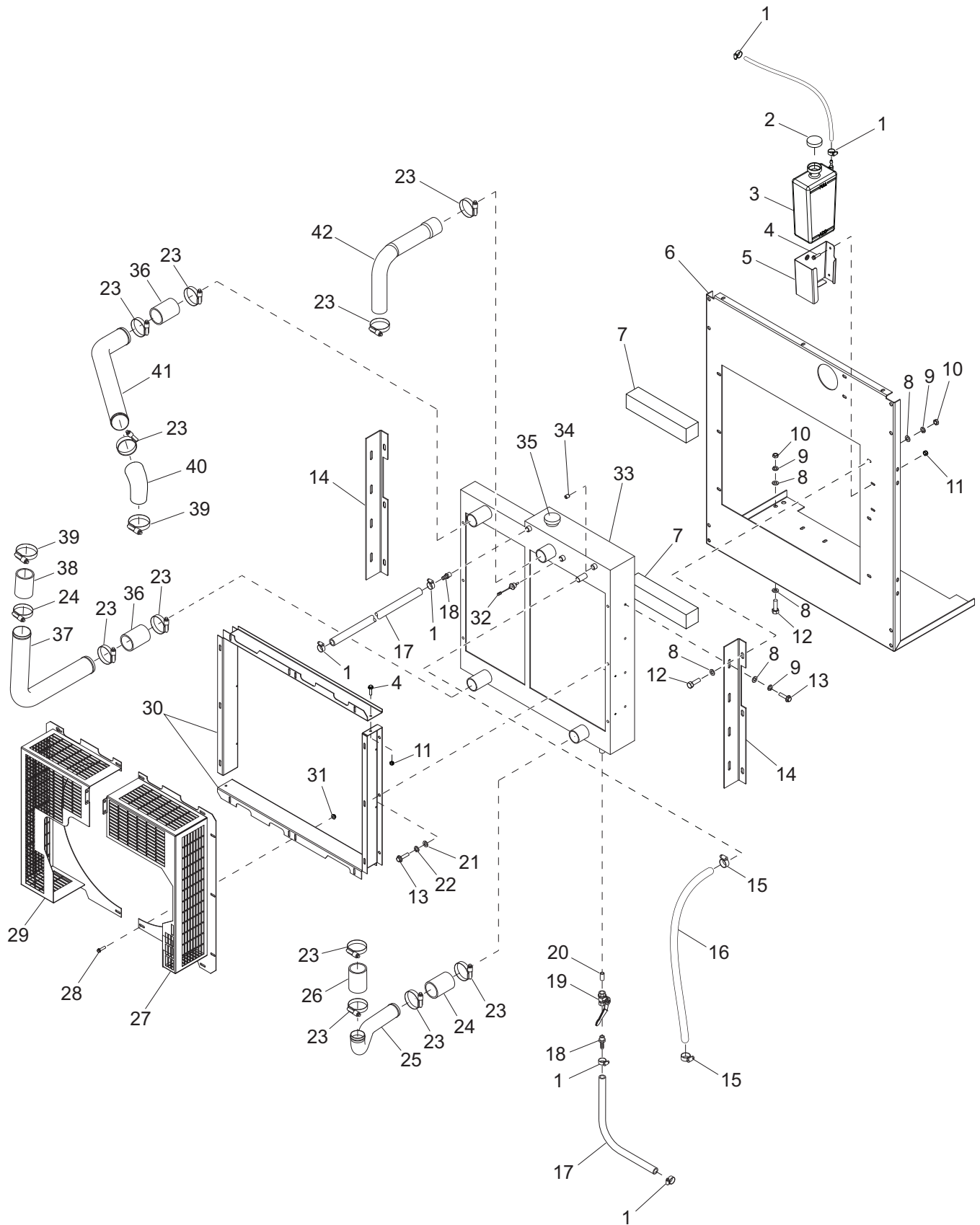
ITEM	PART NO.	QTY	DESCRIPTION	NOTES
1	Page 14	1	Assembly, control box	
2	60505	7	Nut, U-clip .312-18	
3	60024	5	Screw, M6x1.0x25 sflg hex	
4	Page 12	1	Assembly, control panel	
5	60524	4	Screw, 10-24x.625 pan phil	
6	60023	5	Insert, M6 threaded	
7	19201	1	Guide, cables	
8	60457	4	Nut, 10-24 nylock	
9	23143B	1	Panel, wire guide	
10	60507	2	Screw, .312-18x1" std hex, SS	
11	60452	2	Washer, flat .313x1.125, SS	
12	60340	2	Washer, .312 flat .875/.04, SS	Bonded rubber
13	60271	2	Washer, .312 split lock	
14	60285	2	Nut, .312-18 hex	

EXHAUST SYSTEM ASSEMBLY



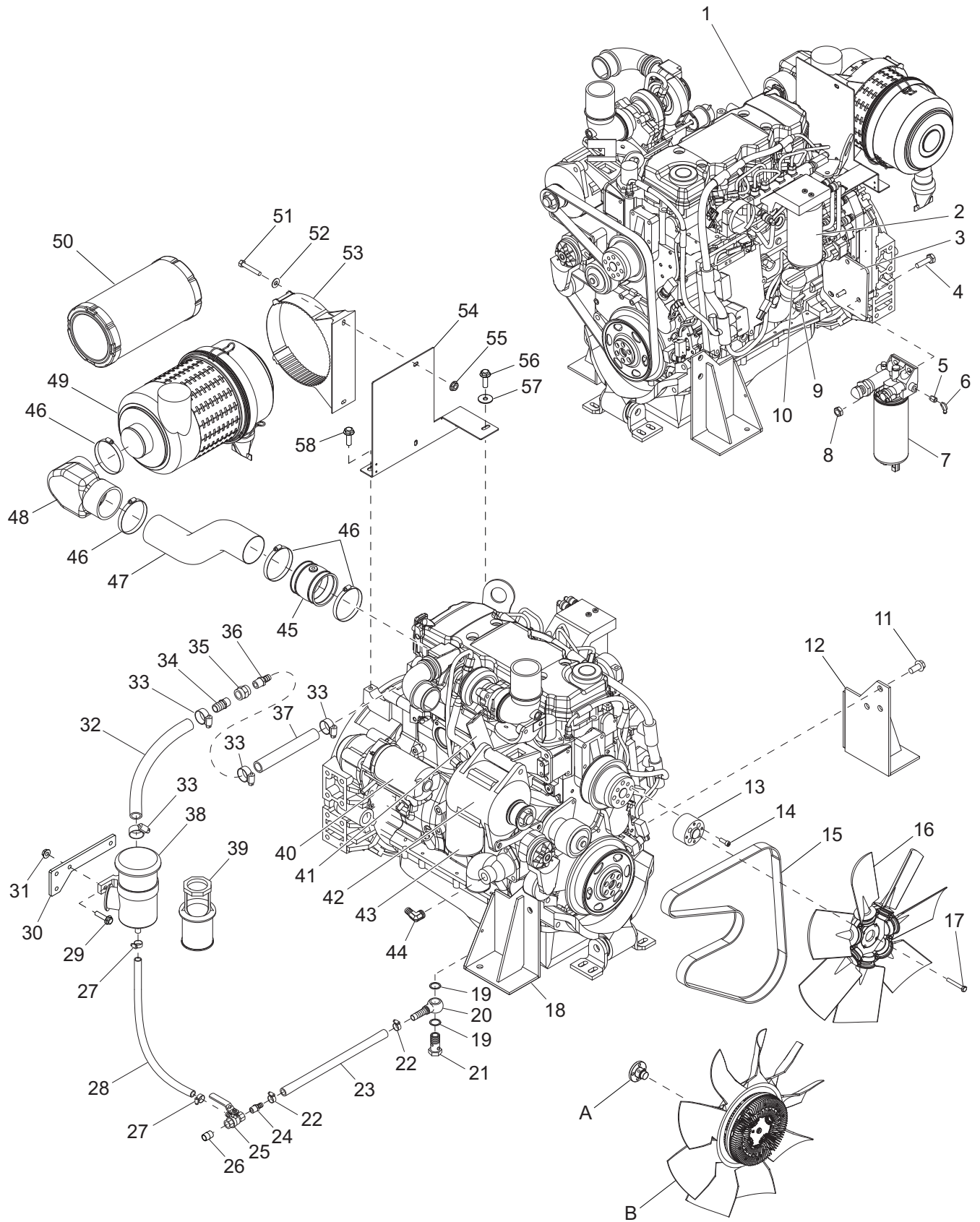
ITEM	PART NO.	QTY	DESCRIPTION	NOTES
1	30811	2.6 ft.	Sleeve, high temp - 4.00 in	
2	19336	2	Clamp, hose - SAE 044 (2.31-3.25)	
3	30694	1	Pipe, exhaust to muffler	
4	18821	4	Clamp, muffler - 3.00	
5	26378	1	Muffler, 75-100 T3	
6	61036	4	Screw, .375-16x1.25 std hex, SS	
7	60698	8	Washer, .375 flat .875/.040, SS	
8	60703	4	Washer, .375 split lock, SS	
9	60679	4	Nut, .375-16 hex, SS	
10	21089	1	Cap, rain - 3.00 in	
11	30597	1	Pipe, exhaust - turbo outlet	
12	26721B	1	Bracket, muffler support	

COOLING SYSTEM ASSEMBLY



ITEM	PART NO.	QTY	DESCRIPTION	NOTES
1	14216	2	Clamp, hose - SAE 004 (.21-62) mini	
2	19714	1	Cap, overflow jug	
3	24952	1	Jug, overflow 2.5 qt	
4	60175	2	Screw, .250-20x.500 sflg hex	
5	26211B	1	Bracket, overflow jug	
6	30688B	1	Panel, bulkhead	
7	26724	2	Foam, CAC sealing	Top/bottom
8	60340	28	Washer, .312 flat .875/.040, SS	
9	60701	18	Washer, .312 split lock, SS	
10	60515	10	Nut, .312-18 hex, SS	
11	60161	2	Nut, .250-20 sflg	
12	60507	10	Screw, .312-18x1.0 std hex, SS	
13	60168	8	Screw, .312-18x.750 std hex	
14	30684B	2	Bracket, radiator	
15	62243	2	Clamp, hose - .813-1.50 constant torque	
16	50170	3 ft	Hose, .750 in, class A	
17	50018	-	Hose, 312 ID 50 psi, SAE 30R7	
18	60999	2	Fitting, strt - .500MNPTx.312 barb, brass	
19	19279	1	Valve, ball .500NPTF	
20	60438	1	Fitting, nipple-.500NPT x close	
21	60119	6	Washer, .312 flat .875/.070	
22	60271	6	Washer, .312 split lock	
23	60660	12	Clamp, hose - 1.75-2.625 constant torque	
24	30964	1	Hose, radiator - straight 2.0 IDx4.0 long	
25	30589	1	Pipe, radiator - lower	
26	30938	1	Hose, 2.00 IDx 2.25 IDx3.25 long	
27	30600B	1	Weldment, fan guard - right	
28	60175	14	Screw, .250-20x.50 sflg hex	
29	30601B	1	Weldment, fan guard - left	
30	26292B	2	Shroud, radiator	
31	60161	14	Nut, .250-20 sflg	
32	65592	1	Sensor, low coolant	
33	26221	1	Radiator, Tier III	
34	18394	2	Fitting, plug - .500NPT x internal hex	
35	31146	1	Cap, radiator	
36	22060	2	Hose, CAC - 2.00-2.50x4.00	
37	30605	1	Pipe, CAC outlet	
38	22447	1	Hose, CAC - 2.50-3.00x5.50	
39	60666	2	Clamp, hose - 2.25-3.125 constant torque	
40	29548	1	Hose, CAC 2.50-3.00x90°	
41	30606	1	Pipe, CAC inlet	
42	30588	1	Hose, radiator - upper	

ENGINE ASSEMBLY

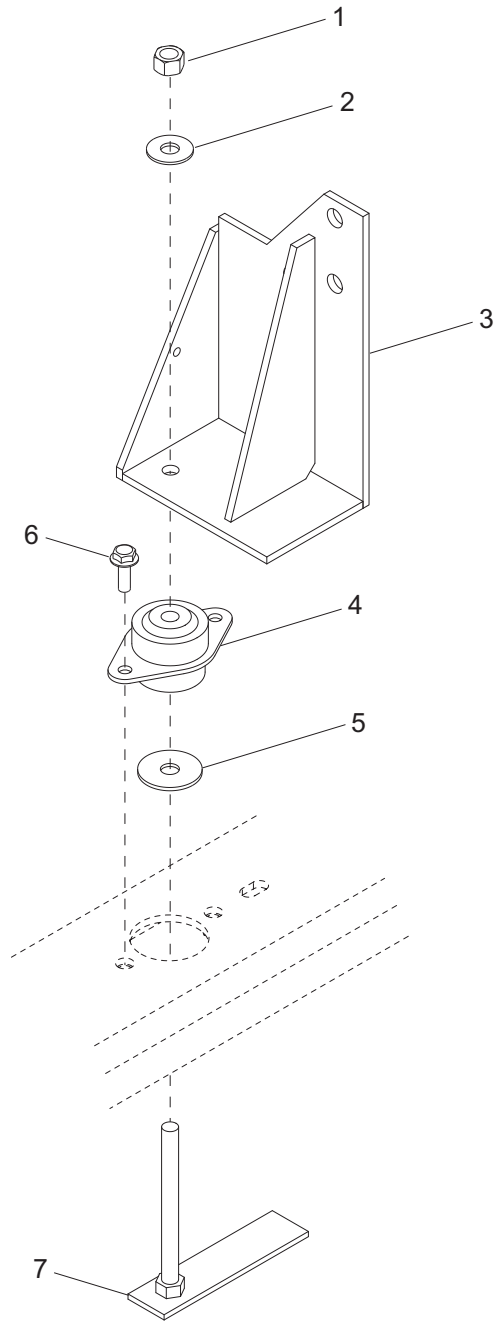


ITEM	PART NO.	QTY	DESCRIPTION	NOTES
1	30414	1	Engine, Cummins QSB5-G3, Tier III	
2	32143	1	Filter, fuel - final, CumminsZSB5-G3, Tier III	
3	30674B	1	Bracket, fuel filter	
4	60352	1	Screw, .375-16x1.250 std hex, G5	
5	31002	1	Fitting, adapter - M12x.250NPT	
6	15693	1	Fitting, 90° - .250NPTx.312 barb, brs	
7	31140	1	Filter, fuel - primary, CumminsZSB5-G3, Tier III	
8	60145	2	Nut, lock .375-16 sflg, G5	
9	31142	1	Dipstick, oil fill	
10	31141	1	Cap, engine oil fill (w/gasket)	
11	60072	6	Screw, M12-1.75x25 sflg hex	
12	30591	1	Assembly, engine mount - right	
13	30592	1	Spacer, fan	
14	30885	4	Screw, M10-1.50x60 soc hex, G12.9	
15	31788	1	Belt, fan	
16	26494	1	Fan, engine - 23 in	
17	60179	4	Screw, .375-16x.750 std hex, G8	
18	30665	1	Assembly, engine mount - left	
19	63235	2	Washer, M22 copper	
20	63225	1	Adapter, banjo - M22 hole, .50NPT thrd	
21	63224	1	Bolt, banjo - M22x1.50	
--	63228	1	Assy, banjo bolt - M22x1.50	
22	60365	2	Clamp, hose - SAE 010 (.56-1.06)	
23	50201	.83 ft	Hose, coolant - .625 ID	
24	60437	1	Fitting, strt - .500NPTx.750 barb	
25	61165	1	Valve, ball .500NPTFx.50 hose barb	
26	40932	1	Fitting, nipple - .500NPTx2.0, brass	
27	19453	2	Clamp, hose - SAE 006 (.37-.87)	
28	50051	1.58 ft	Hose, fuel .375 ID 50 psi, SAE 30R7	
29	61091	4	Screw, .312-18x1.0 sflg hex, G5	
30	30829B	1	Bracket, OCV system	
31	60095	4	Nut, .312-18 sflg	
32	50332	.5 ft	Hose, fuel .750 ID 35 psi, SAE 30R7	
33	19338	4	Clamp, hose - SAE 016 (.68-1.50)	
34	25496	1	Fitting, strt - .750MNPTx1.0 barb, brs	
35	62075	1	Fitting, strt - .750FNPT coupler, brass	
36	30866	1	Fitting, strt - .750MNPTx.750 barb, brs	
37	50019	1.16 ft	Hose, fuel 1.00 SAE 20R3	
38	24318	1	Kit, oil recirculation	
39	24552	1	Filter, oil recirculation	
40	31145	1	Starter, engine	
41	30988	1	Bracket, radiator hose tie down	
42	31144	1	Alternator, CumminsZSB5-G3, Tier III	
43	31143	1	Filter, oil	
44	27673	1	Fitting, 90° - .750MNPTx.750 barb, brs	
45	26467	1	Hose, air inlet - 3.00IDx3.00 w/M10 port	
46	18663	4	Clamp, hose - SAE 060 (3.31-4.25)	
47	30708	1	Pipe, air inlet	
48	24478	1	Elbow, 90° 3.0 ID molded rubber	Cobra-head
49	26465	1	Filter, air cleaner assy	
50	26722	1	Element, air filter	
51	60256	2	Screw, .312-18x1.50 std hex, G5	
52	60119	2	Washer, .312 flat - .875/.070	
53	26466	1	Clamp, air filter	
54	30594B	1	Bracket, air filter	
55	60095	2	Nut, .312-18 sflg, G5	
56	60009	1	Screw, M8-1.25x25 sflg hex	

57	60386	1	Washer, .375 flat .993/.064	
58	60018	2	Screw, M10-1.25x20 sflg hex	
--	32148	1	Thermostat, engine - Cummins 4.5L	Not shown
--	29877	1	Heater, fuel filter	Option (not shown)
A	30821	1	Hub, fan clutch mount	Option
B	30268	1	Fan, clutch for 23/26" 4.5L engine	Option

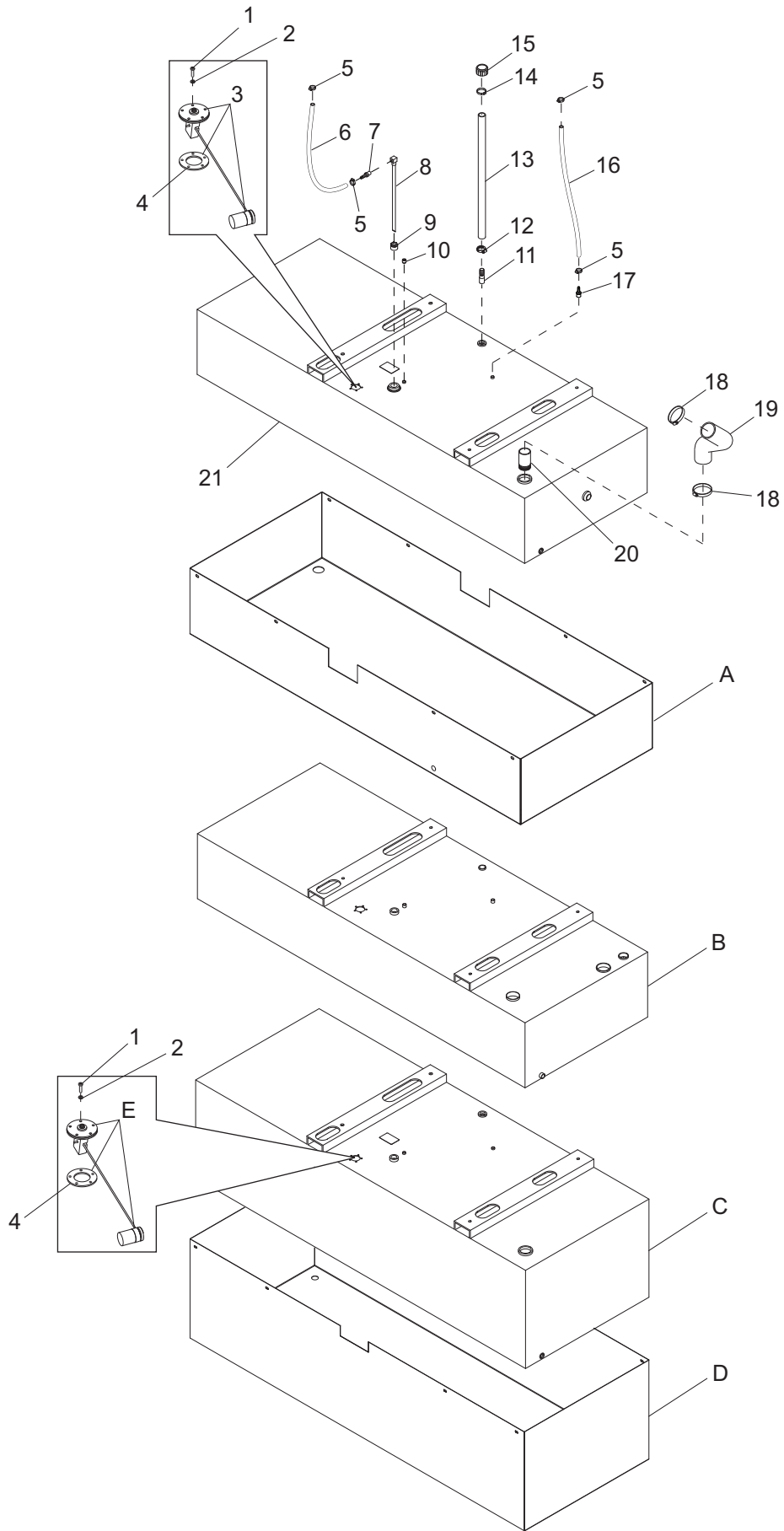
Note: Engine and generator parts used in all Magnum Power Products LLC equipment carry the Original Equipment Manufacturer (OEM) warranty unless otherwise stated. OEM warranty parts must be purchased through an OEM dealer. Please contact Magnum Power Products LLC with questions.

ENGINE MOUNT ASSEMBLY



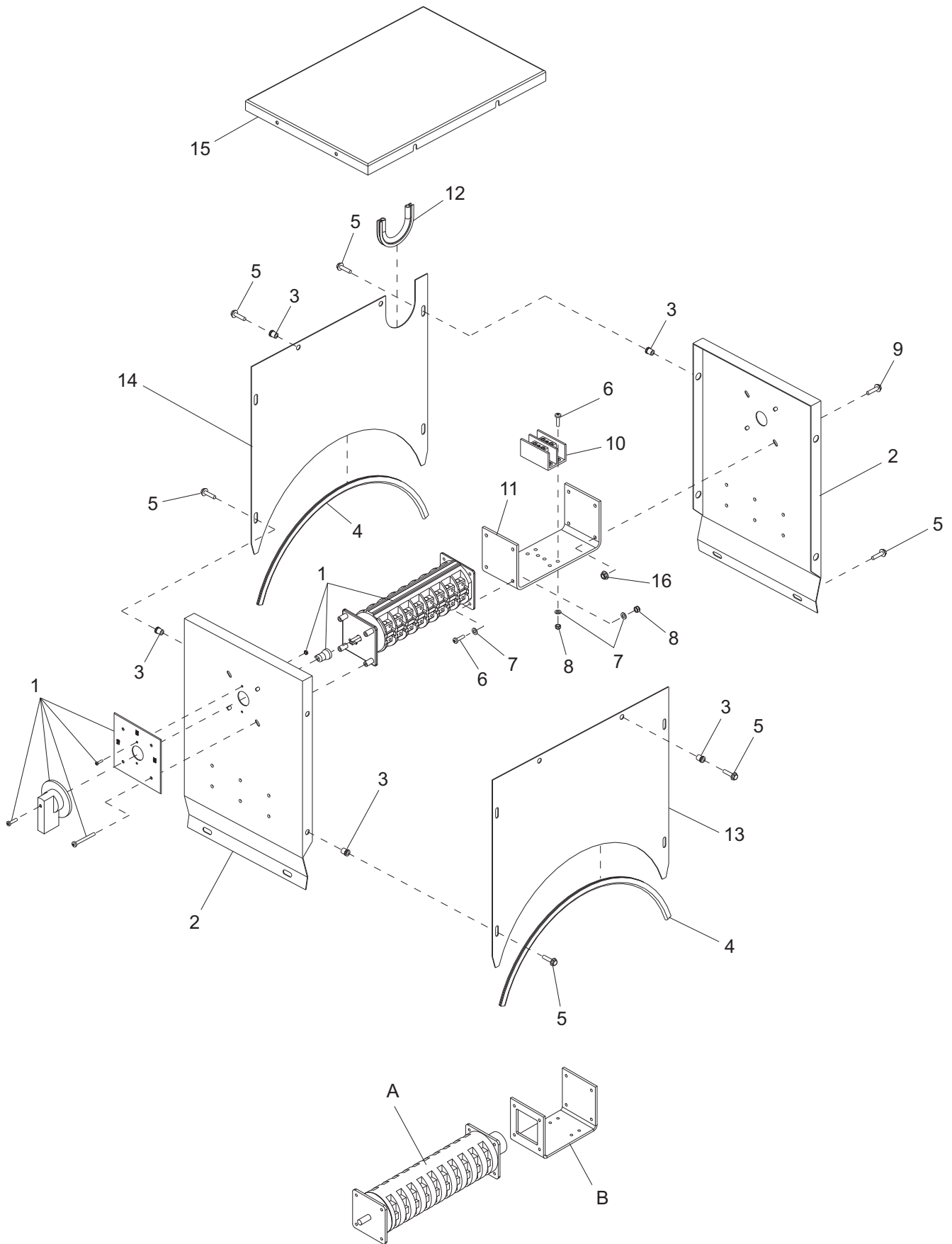
ITEM	PART NO.	QTY	DESCRIPTION	NOTES
1	60307	1	Nut, .500-13 nylock, G2	
2	60416	1	Washer, .500 flat 1.375/.090	
3	30665B	1	Weldment, engine mount - left	
4	18083	1	Shock mount, rubber	
5	18085	1	Washer, .510 snub - 2.0/.130	
6	60018	2	Screw, M10 - 1.25x20 sflg hex	
7	31786	1	Weldment, anti-turn bolt - .50x3.50	
--	30683	1	Mount, assembly, engine - left	Items 1-6

FUEL TANK ASSEMBLY



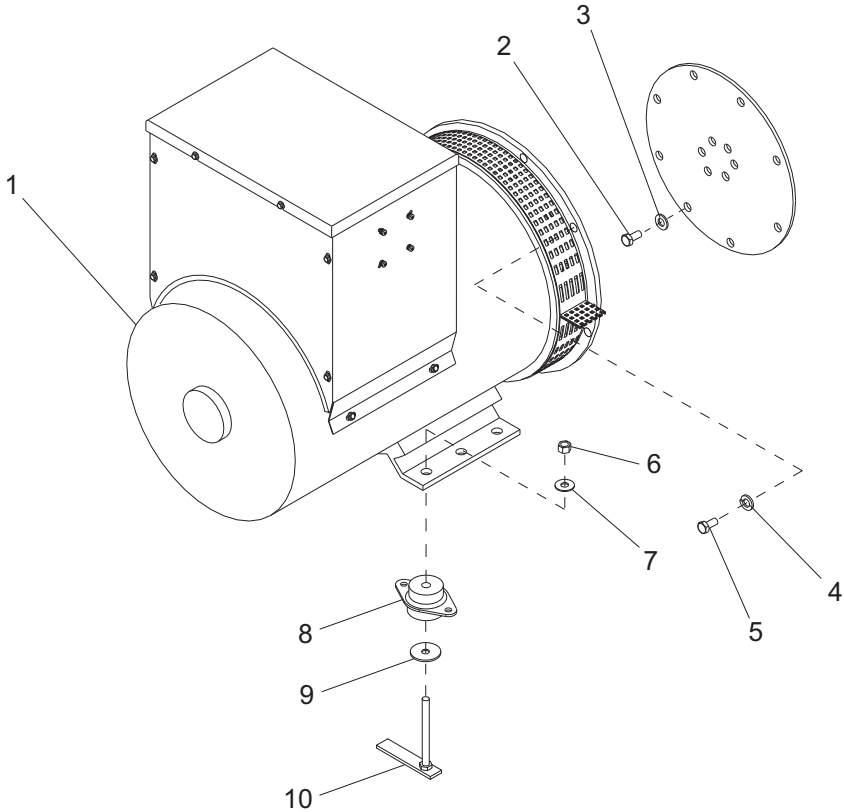
ITEM	PART NO.	QTY	DESCRIPTION	NOTES
1	60062	5	Screw, 10-32x.750 pan phil	
2	60252	5	Washer, #10 split lock	
3	20571	1	Sender, fuel - 10-15" tank	
4	22323	1	Gasket, fuel sending unit	
5	14216	4	Clamp, hose - SAE 004 (.21-.62) mini	
6	50018	2.75 ft	Hose, .312 ID, 50 psi	
7	15142	1	Fitting, str - .250NPTx.312 barb	
8	13500	1	Fuel pick-up tube, 14 in	
9	63117	1	Fitting, str - 1.0MNPTx.375FNPT	
10	60776	1	Fitting, plug - .250NPT flush-mount hex	
11	21451	1	Fitting, str - 1.0MNPTx1.0 barb	
12	19338	1	Clamp, hose - SAE 016 (.68-1.50)	
13	50169	4 ft	Hose, 1"	
14	62040	1	Clamp, hose - 1.5 fuel hose	Crimp style
15	26379	1	Vent, plastic fuel, 1.00 ID	
16	50018	3.5 ft	Hose, .312 ID, 50 psi	
17	19180	1	Fitting, str - .375MNPTx.312 barb	
18	60316	2	Clamp, hose - SAE 32 (1.56-2.50)	
19	18301	1	Hose, fuel fill	
20	19778	1	Fitting, nipple, pipe - 2.0NPTx4.0	
21	22880B	1	Tank, fuel - 135 gal	
A	23451B	1	Pan, 24 hour containment	
B	23447B	1	Tank, fuel - 100 gal dbl wall	
C	23093B	1	Tank, fuel - 203 gal	
D	23493B	1	Pan, 36 hour containment	
E	21206	1	Sender, fuel - 16-24" RH	

GENERATOR BOX ASSEMBLY



ITEM	PART NO.	QTY	DESCRIPTION	NOTES
1	65500	1	Switch, phase - 125A, 3 pos.	
2	18763B	2	Panel, side generator box	
3	60023	12	Insert, M6 threaded	
4	19046	2	Seal, generator box	
5	60115	16	Screw, M6-1.0x12 sflg hex	
6	60156	8	Screw, M5-0.80x16 pan phil, G4	
7	60041	8	Washer, M5 flat	
8	60038	8	Nut, M5-.80 nylock, class 6	
9	60115	4	Screw, M6-1.00x12 sflg hex, G8.8	
10	19368	1	Block, terminal - 2-pole lug	
11	23395B	1	Bracket, selector switch - 3 pos.	
12	19222	1	Seal, generator box	
13	18769B	1	Panel, gen box rear	
14	18772B	1	Panel, front generator box	
15	18775B	1	Panel, top generator box	
16	60036	4	Nut, M6-1.00 sflg, G8.8	
A	65667	1	Switch, phase - 125A	Option: 4 pos. (Y,y,D,Z)
B	28512B	1	Bracket, phase switch	Option: 4 pos. (Y,y,D,Z)

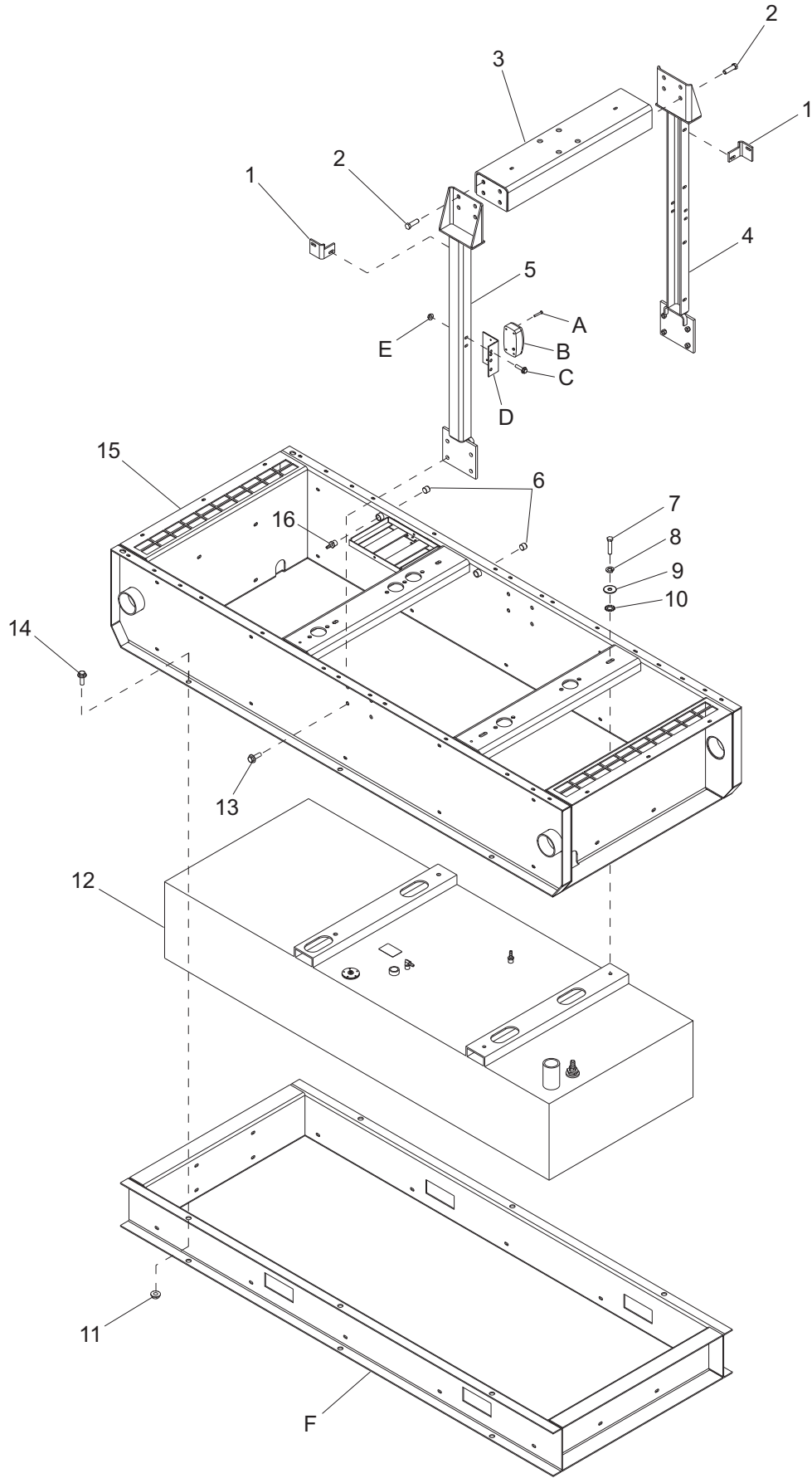
GENERATOR ASSEMBLY



ITEM	PART NO.	QTY	DESCRIPTION	NOTES
1	18076	1	Generator, 362PSL1606	
--	22098	-	Generator, 363PSL1607	Option: Super Start (not shown)
2	60179	8	Screw, .375-16x.750 hex hd, G8	
3	60151	8	Washer, .375 flat	
4	60026	12	Washer, M10 split lock	
5	60055	12	Screw, M10-1.5x35 std hex, G10.9	
6	60307	2	Nut, .500-13 nylock, G2	
7	60416	2	Washer, .500 flat 1.375/.090	
8	18083	2	Shock mount, rubber	
9	18085	2	Washer, .510 snub - 2.0/.130	
10	31786	2	Weldment, anti-turn bolt - .50x3.5	

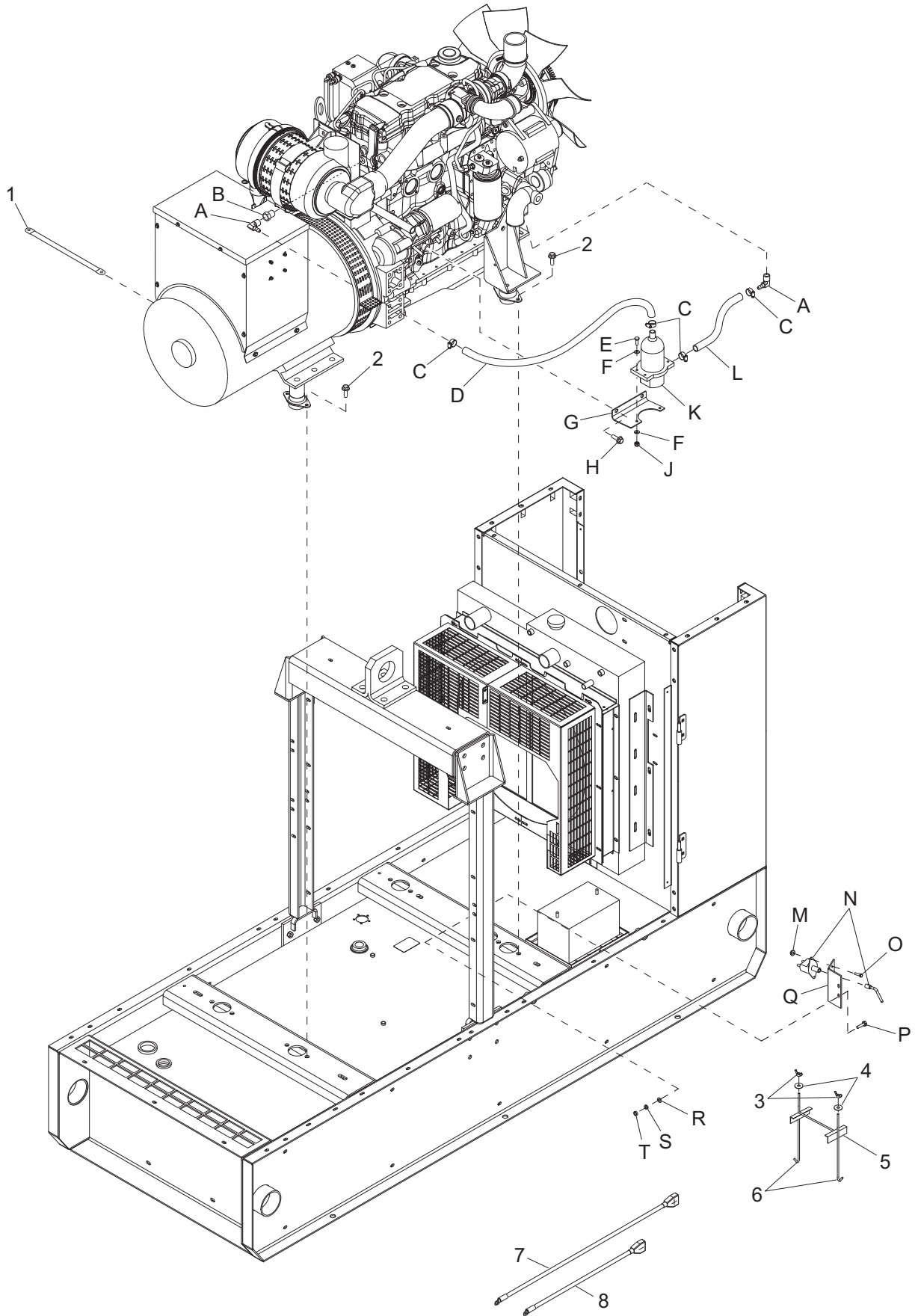
Note: Engine and generator parts used in all Magnum Power Products LLC equipment carry the Original Equipment Manufacturer (OEM) warranty unless otherwise stated. OEM warranty parts must be purchased through an OEM dealer. Please contact Magnum Power Products LLC with questions.

SKID ASSEMBLY



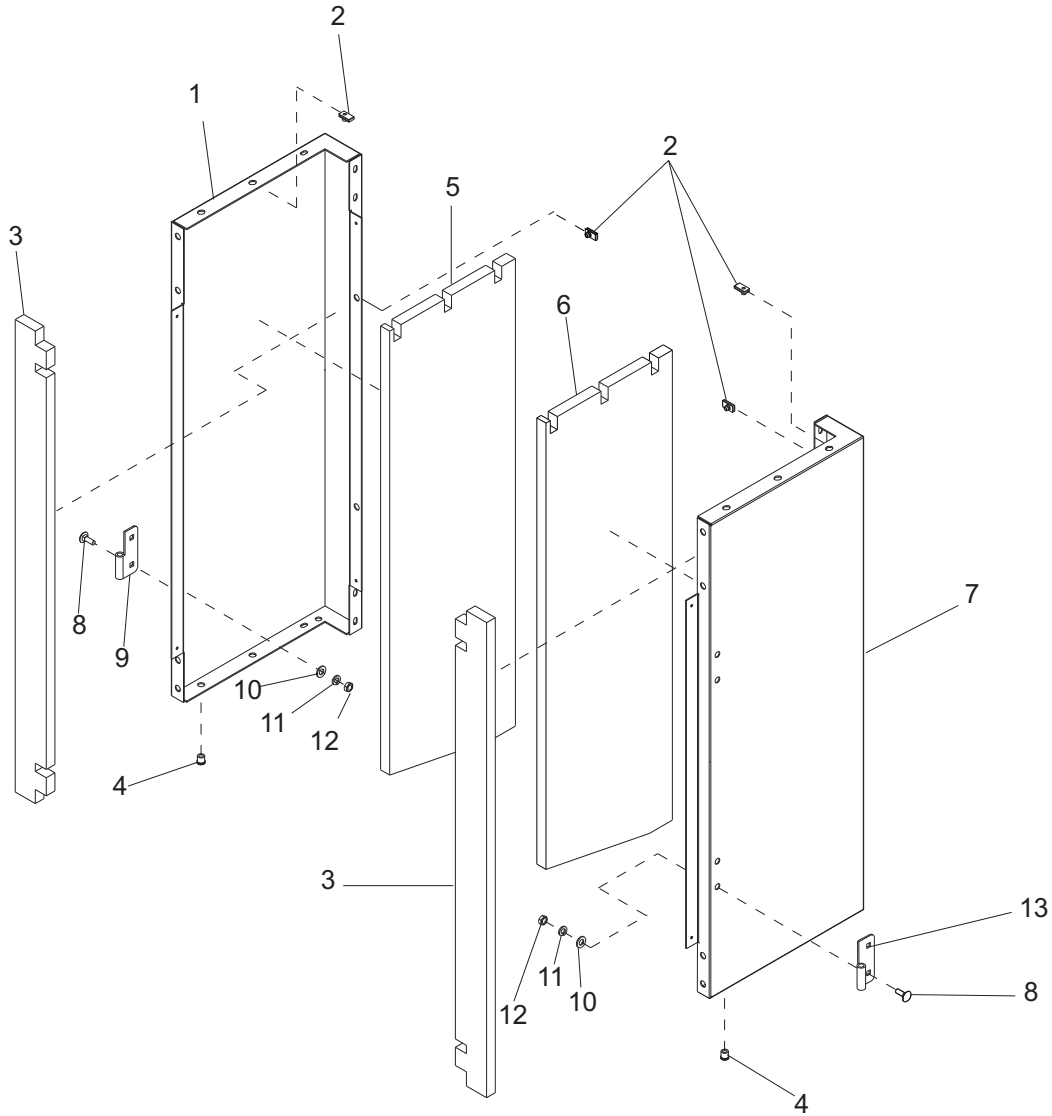
ITEM	PART NO.	QTY	DESCRIPTION	NOTES
1	20785B	2	Brace, side - mid(A)	
2	60323	16	Screw, .375-16x1.5 std hex	
3	26844B	1	Weldment, lift channel - mid	
4	20241B	1	Weldment, right door post - mid	
5	20242B	1	Weldment, left door post - mid	
6	18394	2	Plug, .500NPT x hex socket	
7	60370	4	Screw, .375-16x2.5 std hex	
8	60206	4	Washer, .375 split lock	
9	60729	4	Washer, .375 FNDR 1.50/.090	
10	60053	4	Washer, .375 ext star	
11	60531	6	Nut, .625-11 sflg	
12	Page 24	1	Assembly, fuel tank	
13	60202	8	Screw, M12-1.75x35 sflg hex, G10.9	
14	60541	6	Screw, .625-11x1.00 sflg hex, G5	
15	30587B	1	Weldment, skid	
16	60999	1	Fitting, strt - .500MNPTx.312 barb, brs	
A	60529	2	Screw, 10-24x.625 pan phil, SS	Option: interior light
B	11947	1	Light, interior with switch	Option: interior light
C	61091	2	Screw, .312-18x1.0 sflg hex, G5	Option: interior light
D	23528B	1	Bracket, interior light	Option: interior light
E	60095	2	Nut, .312-18 sflg	Option: interior light
F	23131B	1	Weldment, skid adapter	Option: required with some fuel tanks

ENGINE TO SKID ASSEMBLY



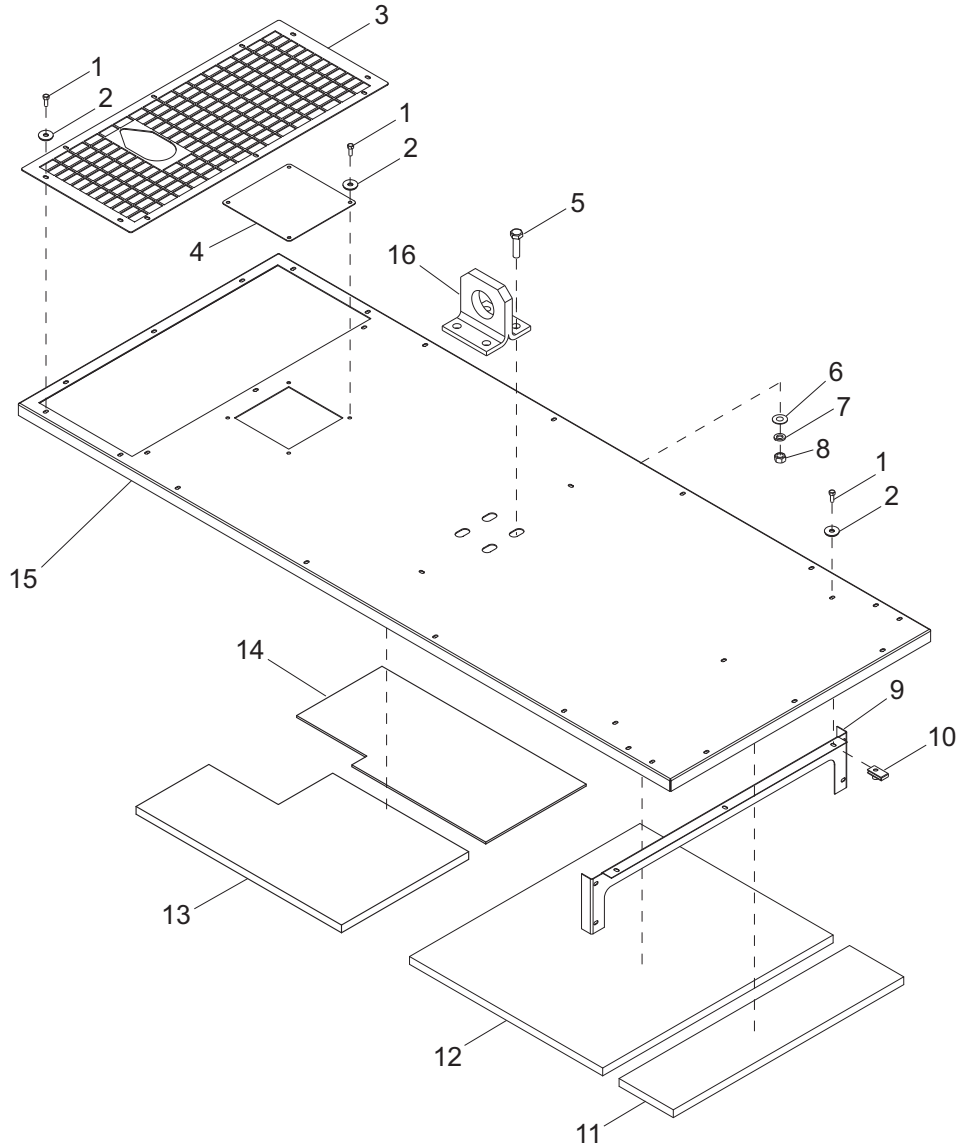
ITEM	PART NO.	QTY	DESCRIPTION	NOTES
1	19042	1	Strap, ground - 10 in	
2	60018	8	Screw, M10-1.25x20 sflg hex	90 lb
3	60090	2	Nut, .250-20 wing	
4	60089	2	Washer, .265 fndr - 1.25/.060	
5	14682	1	Bracket, battery hold down	
6	14146	2	Bolt, J - .250-20x10	
7	18693	1	Cable, battery - 38" red	
8	10425	1	Cable, battery - 16" blk	
A	61161	1	Fitting, bushing - .750MNPTx.500FNPT	Option: coolant heater
B	61014	1	Fitting, 90° - .500MNPTx.625 barb	Option: coolant heater
C	60365	4	Clamp, hose - SAE 010 (.56-1.06)	Option: coolant heater
D	50201	1.75 ft	Hose, .625 ID, 200 psi	Option: coolant heater
E	60281	2	Screw, .250-20x.750 std hex	Option: coolant heater
F	60243	4	Washer, .250 flat, .735/.060	Option: coolant heater
G	30832B	1	Bracket, hotstart	Option: coolant heater
H	60072	2	Screw, M12-1.75x25 sflg hex	Option: coolant heater
J	60144	2	Nut, .250-20 nylock	Option: coolant heater
K	25914	1	Heater, coolant - 120V/500W	Option: coolant heater
L	50201	.83 ft	Hose, .625 ID, 200 psi	Option: coolant heater
M	60161	2	Nut, .250-20 sflg	Option: battery disconnect
N	21489	1	Batt. disc. switch - 500A cont.	Option: battery disconnect
O	60393	2	Screw, .250-20x1" std hex	Option: battery disconnect
P	60256	2	Screw, .312-18x1.5" std hex	Option: battery disconnect
Q	23360B	1	Bracket, battery disconnect	Option: battery disconnect
R	60119	2	Washer, .312 flat .875/.070	Option: battery disconnect
S	60271	2	Washer, .312 split lock	Option: battery disconnect
T	60285	2	Nut, .312-18 hex	Option: battery disconnect
--	19827	1	Cable, battery - 47" blk	Option: batt. disc. (not shown)
--	31009	1	Cable, battery - 38" blk	Option: batt. disc. (not shown)
--	31011	1	Cable, battery - 32" red, w/boot	Option: batt. disc. (not shown)
--	44531	1	Screw, M16-2.0x30 std hex	Option: batt. disc. (not shown)

FRONT SIDE PANEL ASSEMBLIES



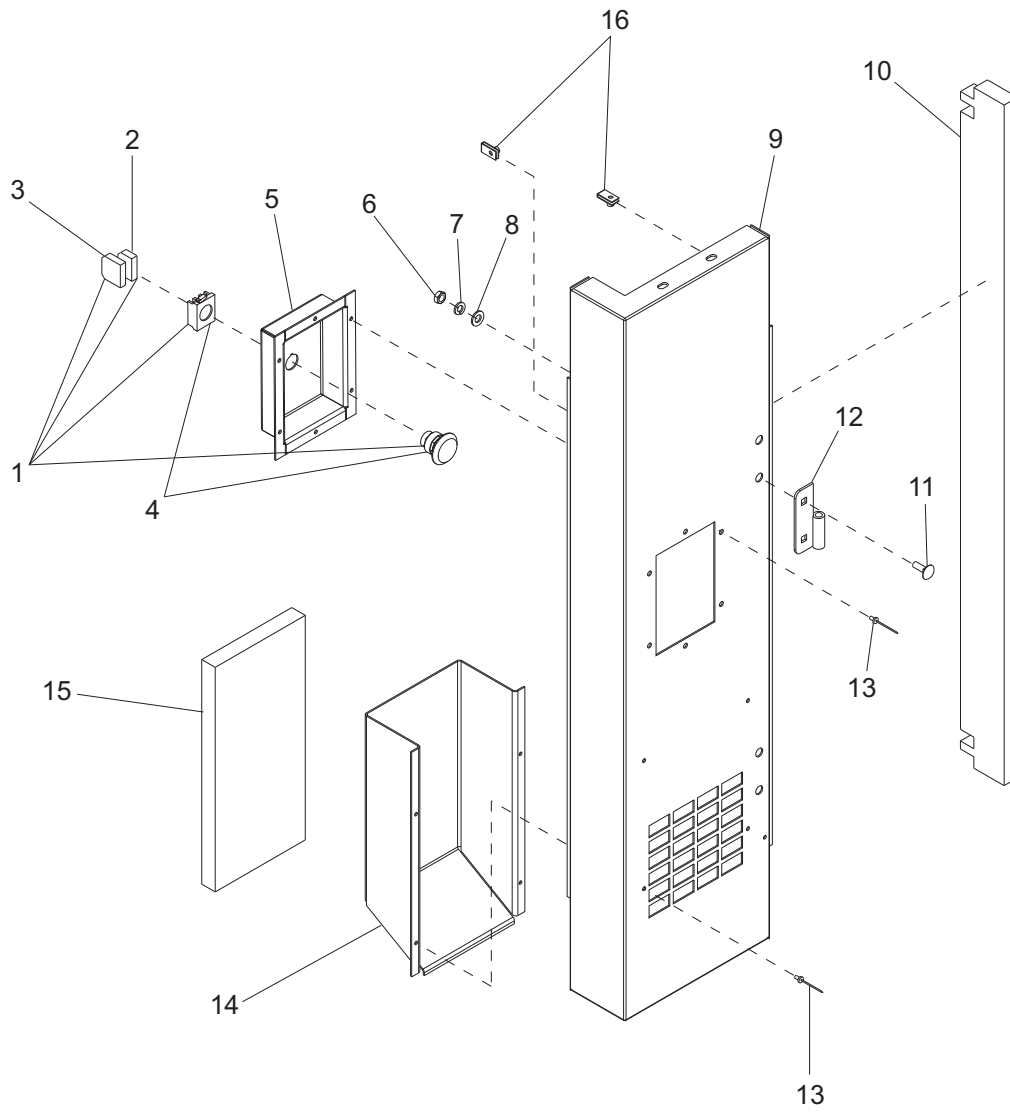
ITEM	PART NO.	QTY	DESCRIPTION	NOTES
1	20663W	1	Panel, left front	
2	60505	16	Nut, U-clip .312-18	
3	20795	2	Foam, corner common	
4	60022	6	Insert, M8 threaded	
5	20792	1	Foam, front left corner	
6	20791	1	Foam, front right corner	
7	20662W	1	Panel, right front	
8	61066	8	Screw, .312-18x1.0 carr sqr, SS	
9	18462	2	Hinge, left (female)	
10	60243	8	Washer, flat .735/.06, SS	
11	60271	8	Washer, .312 split lock	
12	60285	8	Nut, .312-18 hex	
13	18460	2	Hinge, right (female)	
--	20812	1	Assy, right front side panel	
--	20813	1	Assy, left front side panel	

ROOF ASSEMBLY



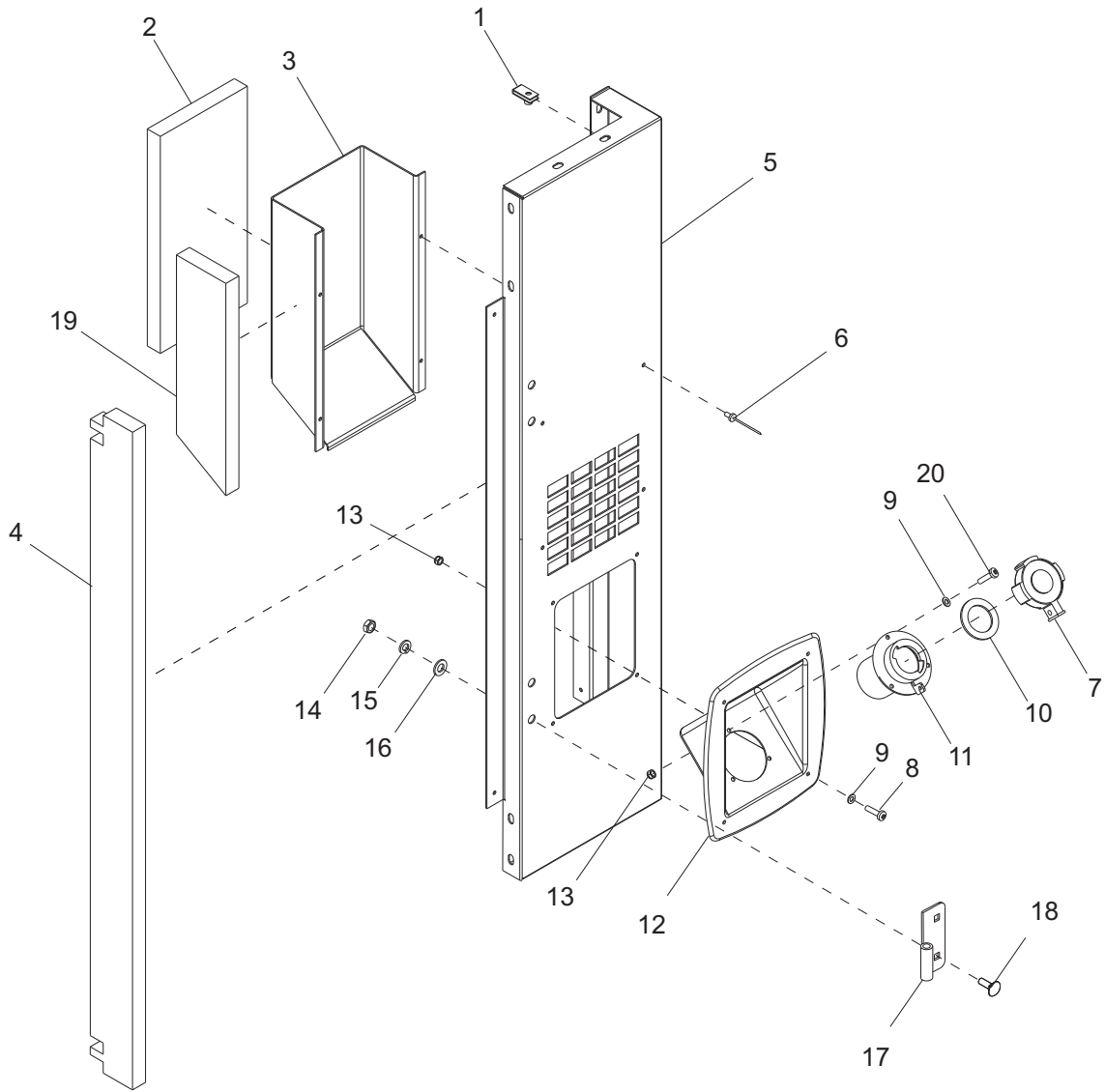
ITEM	PART NO.	QTY	DESCRIPTION	NOTES
1	60507	30	Screw, .312-18x1" hex hd, SS	
2	60452	30	Washer, flat .313x1.125 rubber, SS	
3	26422B	1	Panel, roof insert	
4	25053W	1	Panel, back access	
5	60532	4	Screw, .750-10x3" std hex	
6	60527	4	Washer, .750 flat	
7	60248	4	Washer, .750 split lock	
8	60249	4	Nut, .750-10 hex	
9	20749B	1	Panel, roof baffle	
10	60505	3	Nut, U-clip .312-18	
11	20802	1	Foam, roof - mid	
12	20803	1	Foam, roof - rear	
13	30970	1	Foam, front roof	
14	30973	1	Insulation, ceramic roof	
15	26421W	1	Panel, roof	
--	30974	1	Assy, roof	Items 1-15
16	18053B	1	Bracket, lifting eye	

RIGHT REAR SIDE PANEL ASSEMBLY



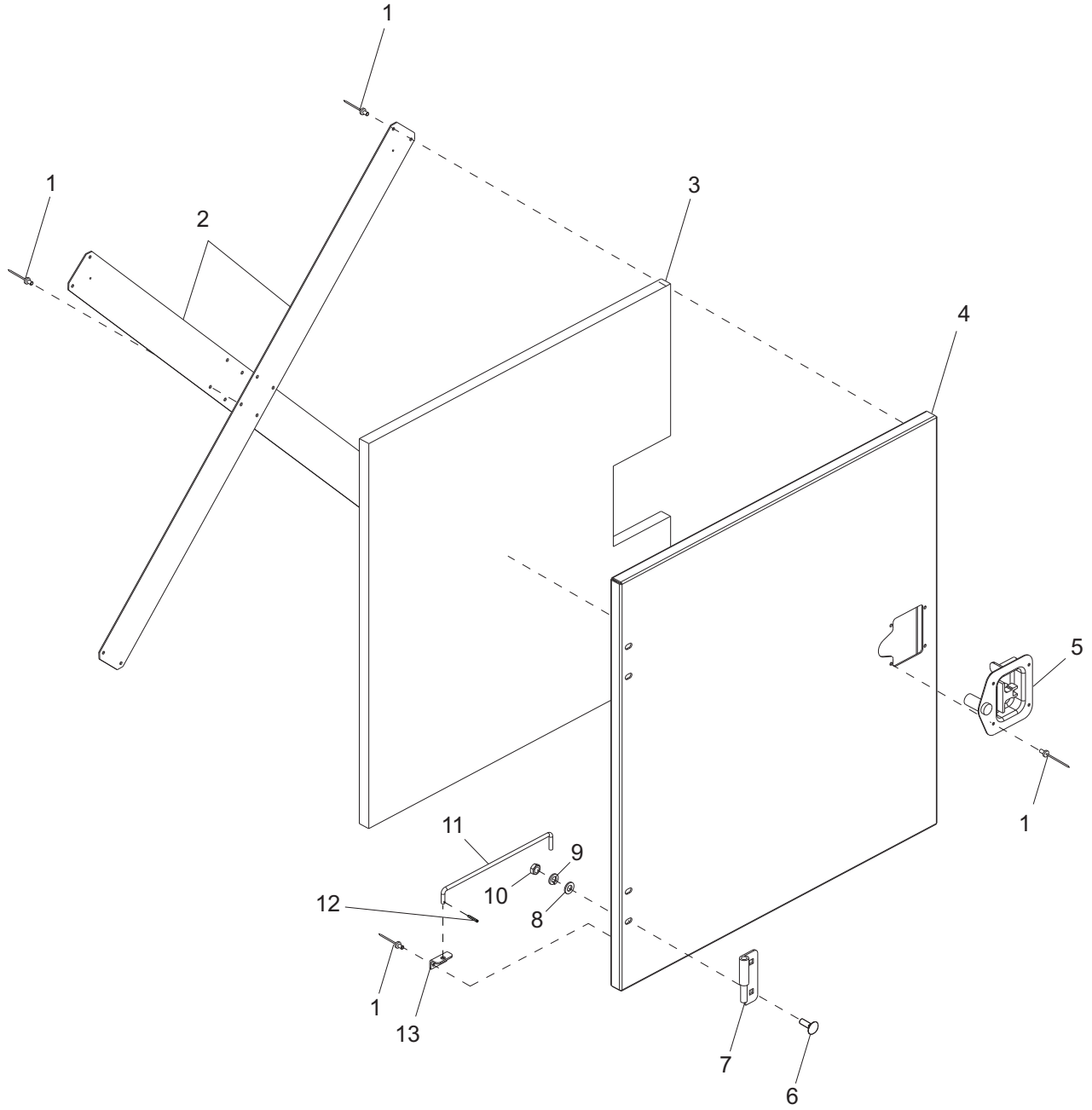
ITEM	PART NO.	QTY	DESCRIPTION	NOTES
1	22550	1	Switch, E-stop, 2 NO/1 NC	
2	65580	1	Block, E-stop contactor - NC	low voltage
3	65584	1	Block, E-stop contactor - NO/NO	
4	65470	1	Switch, E-stop operator	
5	30645	1	Panel, emergency stop	
6	60285	4	Nut, .312-18 hex	
7	60271	4	Washer, .312 split lock	
8	60243	4	Washer, flat .25	
9	21037W	1	Panel, rear right	
10	20795	1	Foam, corner common	
11	61066	4	Screw, .312-18x1.0 carr sqr, SS	
12	18462	2	Hinge, left (female)	
13	60268	10	Rivet, .188 dia. x .126 to .250, SS	
14	20677W	1	Duct, rear air	
15	20798	1	Foam, small duct	
16	60505	4	Nut, U-clip .312-18	
--	20737	1	Assy, right rear side panel	Items 1-16

LEFT REAR SIDE PANEL ASSEMBLY



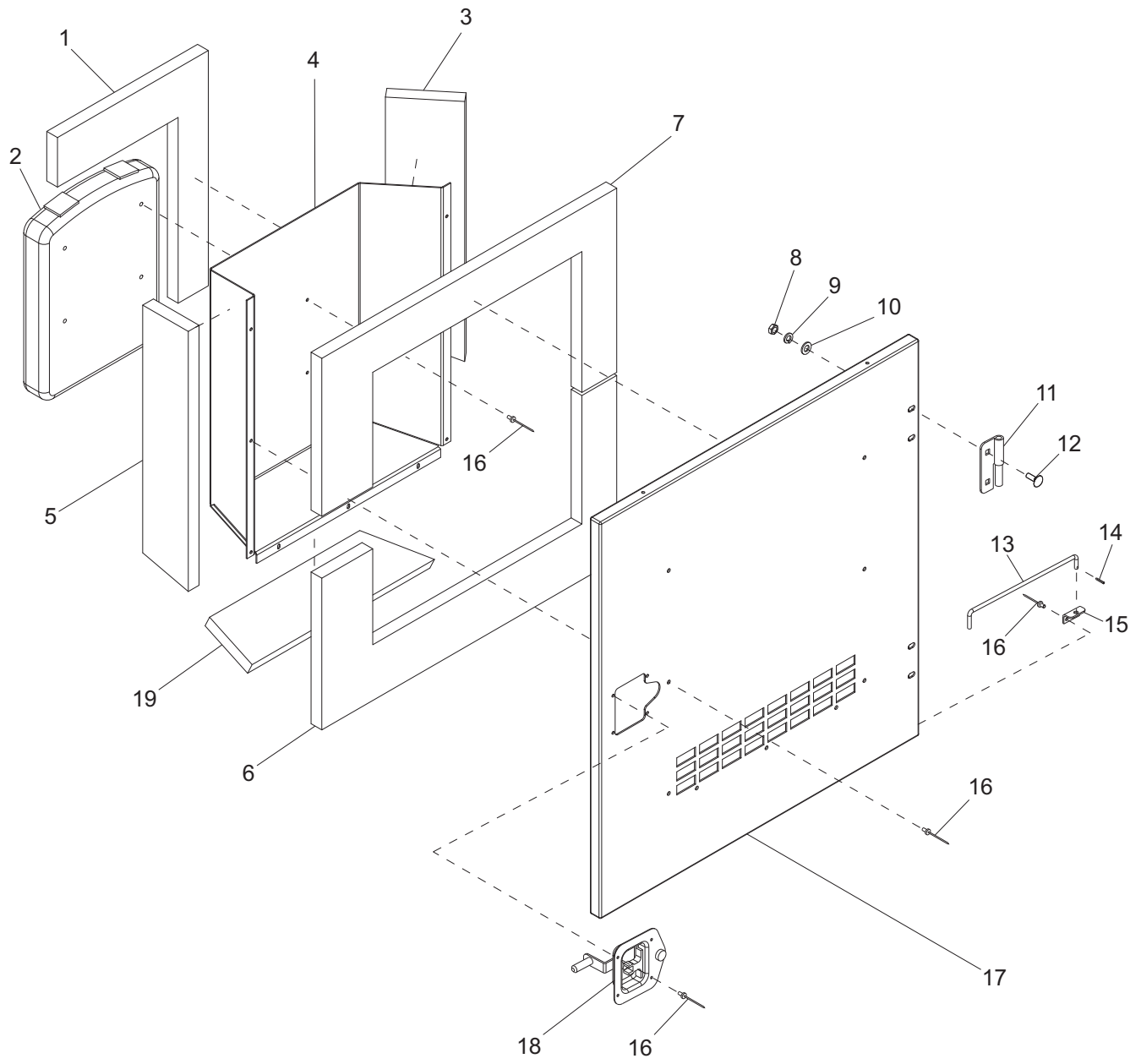
ITEM	PART NO.	QTY	DESCRIPTION	NOTES
1	60505	4	Nut, U-clip .312-18	
2	20798	1	Foam, small duct	
3	20677W	1	Duct, rear air	
4	20795	1	Foam, corner common	
5	20661W	1	Panel, rear left	
6	60268	4	Rivet, .188 dia. x .126 to .250 grip, SS	
7	18648	1	Cap, fuel fill w/gasket	
8	60850	4	Screw, 10-24x.750 pan phil	
9	60067	7	Washer, #10 flat .435/.060, SS	
10	19238	1	Gasket, fuel fill	
11	18666B	1	Weldment, filler tube & flange	
12	18506	1	Port, fuel fill	
13	60457	3	Nut, 10-24 nylock G2	
14	60285	4	Nut, .312-18 hex, G2	
15	60271	4	Washer, .312 split lock	
16	60243	4	Washer, .250 flat	
17	18460	2	Hinge, right (female)	
18	61066	4	Screw, .312-18x1.0 carr sqr, SS	
19	20804	1	Foam, small duct side	
20	60529	3	Screw, 10-24x.625 pan phil, SS	
--	20738	1	Assy, left rear side panel	Items 1-20

LEFT FRONT DOOR ASSEMBLY



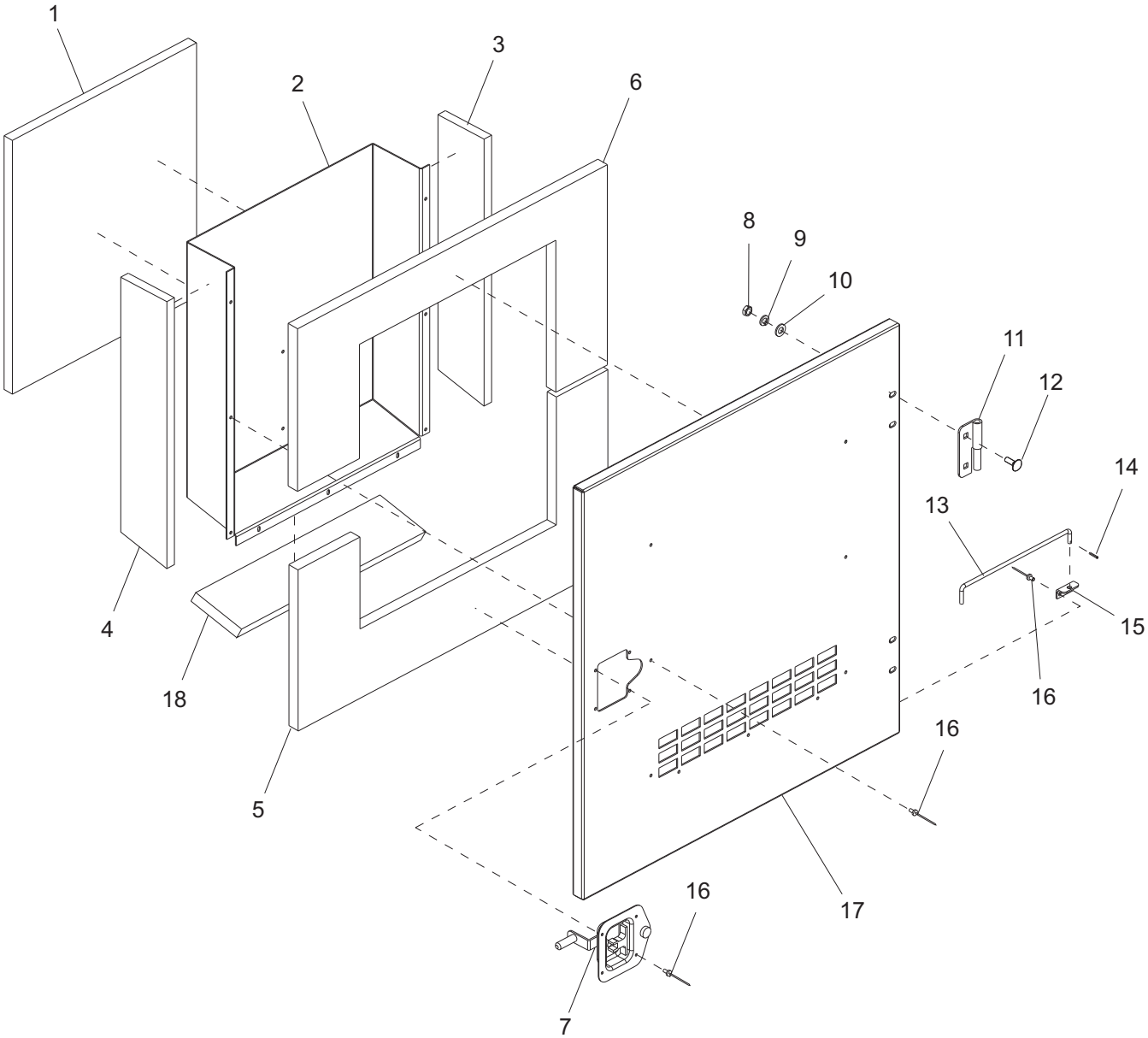
ITEM	PART NO.	QTY	DESCRIPTION	NOTES
1	60268	18	Rivet, .188 dia. x .126 to .250, SS	
2	20948B	2	Brace, door - mid	
3	20967	1	Foam, door - mid	
4	20946W	1	Panel, door - mid	
5	22497	1	Latch, T-handle - left, CW lock	
6	61066	4	Screw, .312-18x1.0 carr sqr, SS	
7	18459	2	Hinge, left (male)	
8	60243	4	Washer, flat .25	
9	60271	4	Washer, .312 split lock	
10	60285	4	Nut, .312-18 hex	
11	18900ZC	1	Rod, door prop	
12	60048	1	Pin, roll .125x.625	
13	20916Z	1	Bracket, prop rod	
--	21226	1	Assy, left front door	Items 1-13

RIGHT FRONT DOOR ASSEMBLY



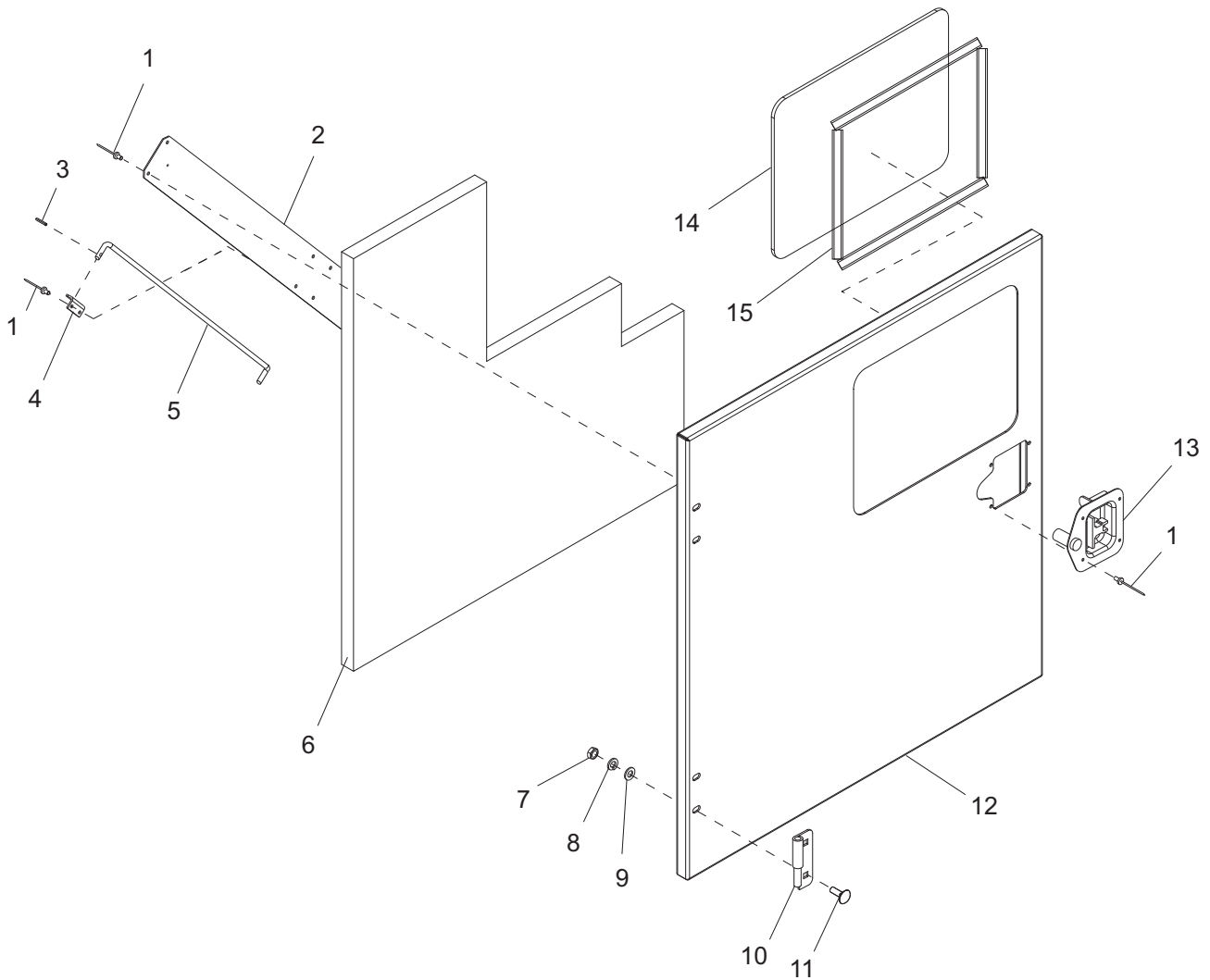
ITEM	PART NO.	QTY	DESCRIPTION	NOTES
1	26520	1	Foam, duct face	
2	18715	1	Holder, manual (plastic)	
3	26518	1	Foam, duct side - left	
4	26509W	1	Duct, door	
5	21121	1	Foam, duct side - right	
6	21105	1	Foam, door - bottom	
7	21104	1	Foam, door - top	
8	60285	4	Nut, .312-18 hex	
9	60271	4	Washer, .312 split lock	
10	60243	4	Washer, flat .25	
11	18461	2	Hinge, right (male)	
12	61066	4	Screw, .312-18x1.0 carr sqr, SS	
13	18900ZC	1	Rod, door prop	
14	60048	1	Pin, roll .125x.625	
15	20916Z	1	Bracket, prop rod	
16	60268	19	Rivet, .188 dia. x .126 to .250, SS	
17	20669W	1	Panel, door	
18	22498	1	Latch, T-handle - right, CCW	
19	26519	1	Foam, duct - bottom	
--	26508	1	Assy, front right door	Items 1-19

LEFT REAR DOOR ASSEMBLY



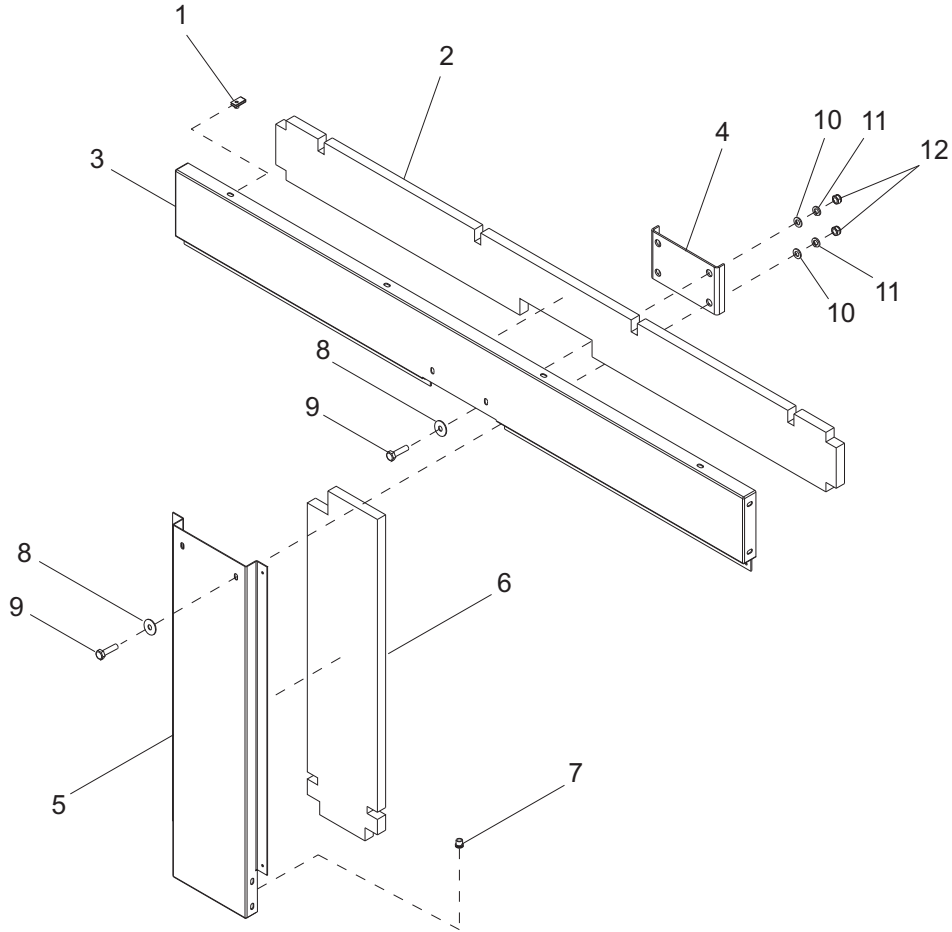
ITEM NO.	PART NO.	QTY	DESCRIPTION	NOTES
1	21102	1	Foam, door duct - right rear	
2	21057W	1	Duct, door	
3	21122	1	Foam, duct side - left	
4	21121	1	Foam, duct side - right	
5	21105	1	Foam, door - bottom	
6	21104	1	Foam, door - top	
7	22498	1	Latch, T-handle - right, CCW	
8	60285	4	Nut, .312-18 hex	
9	60271	4	Washer, .312 split lock	
10	60243	4	Washer, flat .25	
11	18461	2	Hinge, right (male)	
12	61066	4	Screw, .312-18x1.0 carr sqr, SS	
13	18900ZC	1	Rod, door prop	
14	60048	1	Pin, roll .125x.625	
15	20916Z	1	Bracket, prop rod	
16	60268	15	Rivet, .188 dia. x .126 to .250, SS	
17	20669W	1	Panel, door	
18	23344	1	Foam, door duct lower	
--	20755	1	Assy, left rear door	Items 1-18

CONTROL DOOR ASSEMBLY



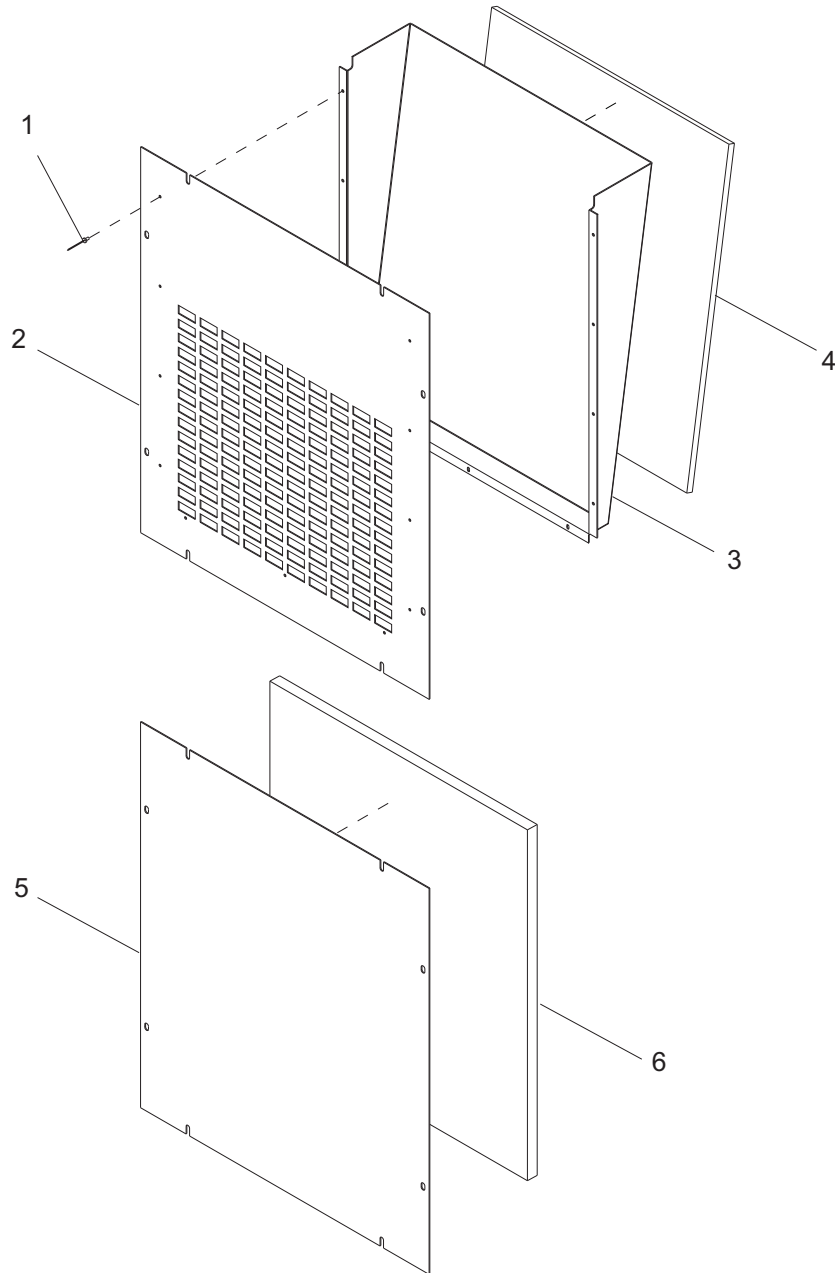
ITEM	PART NO.	QTY	DESCRIPTION	NOTES
1	60268	10	Rivet, .188 dia. x .126 to .250, SS	
2	20948B	1	Brace, door - mid	
3	60048	1	Pin, roll .125x.625	
4	20916Z	1	Bracket, prop rod	
5	21146Z	1	Rod, prop - control door	
6	27541	1	Foam, control door - mid	
7	60285	4	Nut, .312-18 hex	
8	60271	4	Washer, .312 split lock	
9	60243	4	Washer, flat .25	
10	18459	2	Hinge, left (male)	
11	61066	4	Screw, .312-18x1.0 carr sqr, SS	
12	29035W	1	Door, control	
13	22497	1	Latch, T-handle - left, CW lock	
14	21477	1	Window, control door	
15	50192	4.58 ft	Tape, .500" double-sided, type VHB	
--	29036	1	Assy, control door	Items 1-15

TOP AND CENTER SIDE PANEL ASSEMBLIES



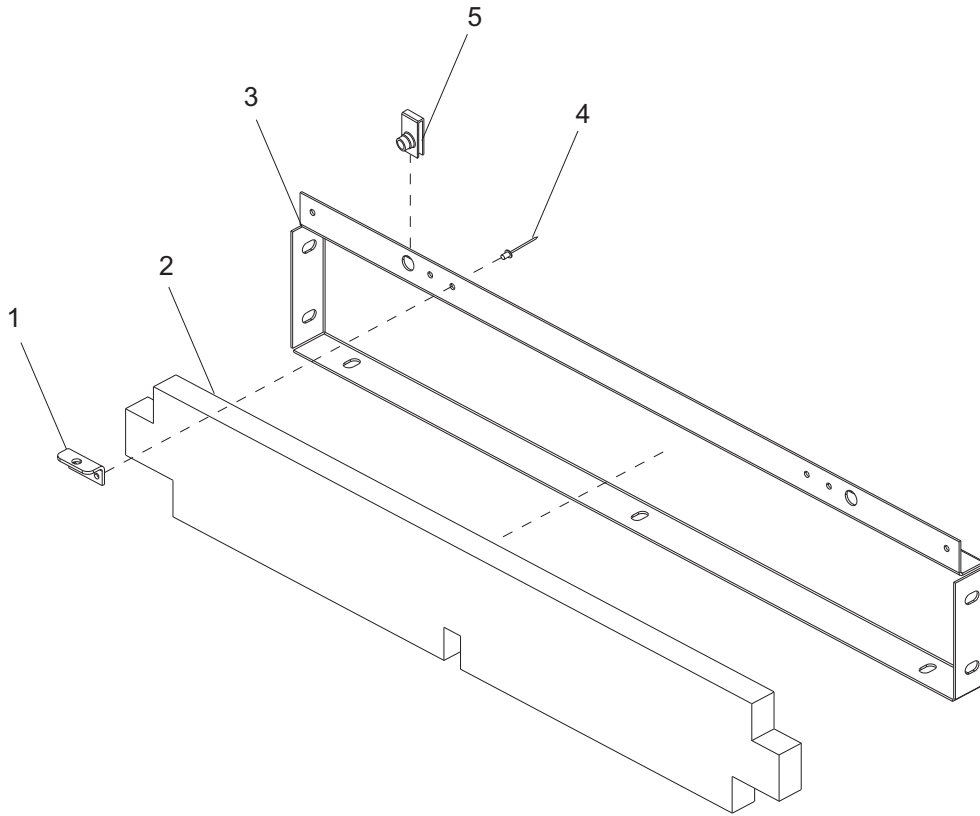
ITEM	PART NO.	QTY	DESCRIPTION	NOTES
1	60505	8	Nut, U-clip .312-18	
2	20790	2	Foam, top side	
3	20666W	2	Panel, top side	
4	20722W	2	Plate, side stiffener	
5	20667W	2	Panel, center side	
6	20793	2	Foam, center side	
7	60022	4	Insert, M8 threaded	
8	60452	8	Washer, flat .313x1.125, SS	Bonded rubber
9	60507	8	Screw, .312-18x1.0 std hex, SS	
10	60119	8	Washer, flat .312	
11	60271	8	Washer, split lock .312	
12	60095	8	Nut, .312-18 sflg	
--	20821	2	Assy, panel - top side	
--	20820	2	Assy, panel - center side	

FRONT AND REAR PANEL ASSEMBLIES



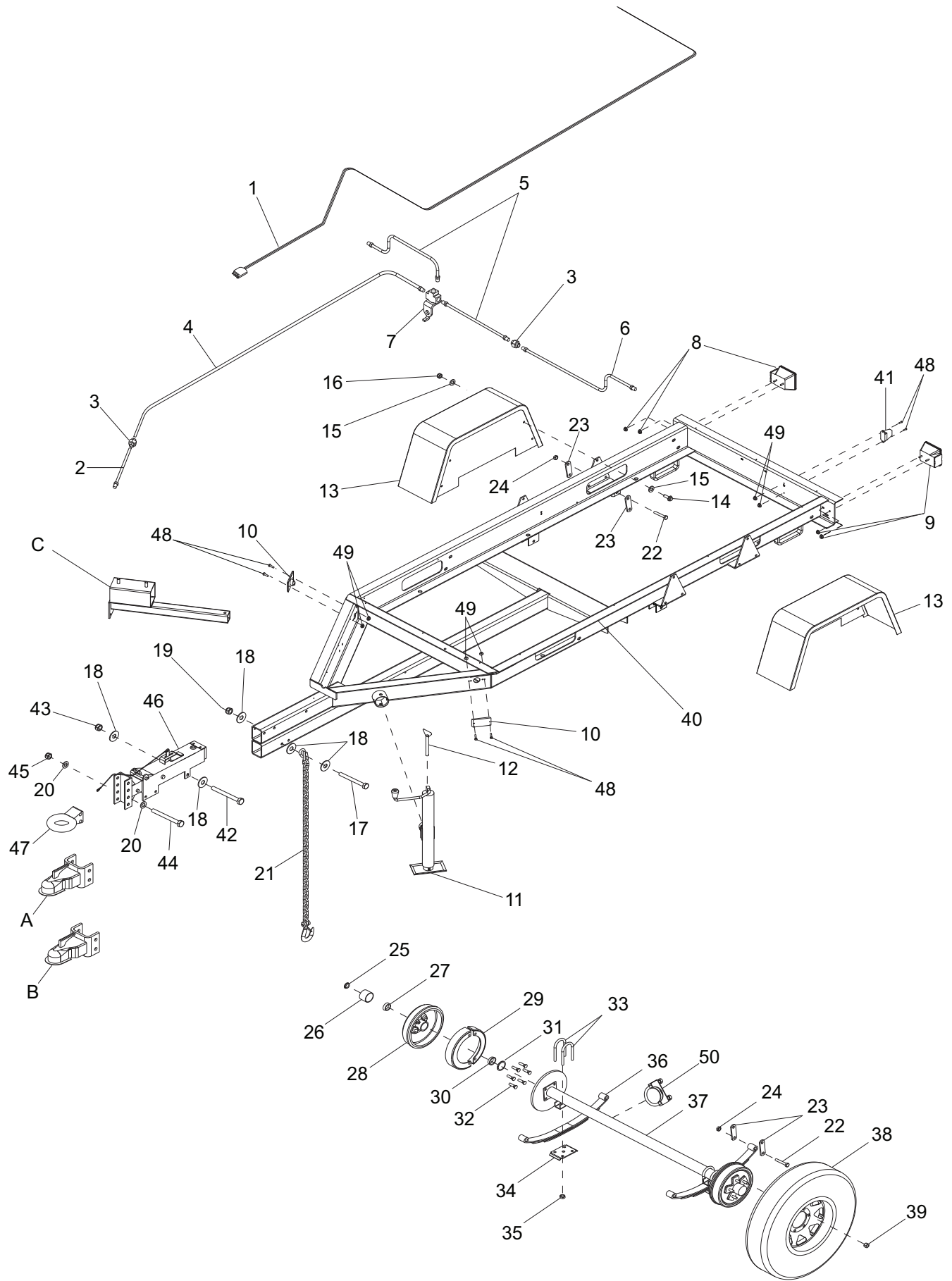
ITEM	PART NO.	QTY	DESCRIPTION	NOTES
1	60268	11	Rivet, .188 dia. x .126 to .250, SS	
2	20751W	1	Panel , rear	
3	20752W	1	Duct, rear panel	
4	20796	1	Foam, rear duct	
5	20750W	1	Panel, front	
6	20800	1	Foam, front panel	
--	20754	1	Assy, panel - rear	Items 1-4
--	20822	1	Assy, panel - front	Items 5-6

END/SIDE PANEL ASSEMBLY



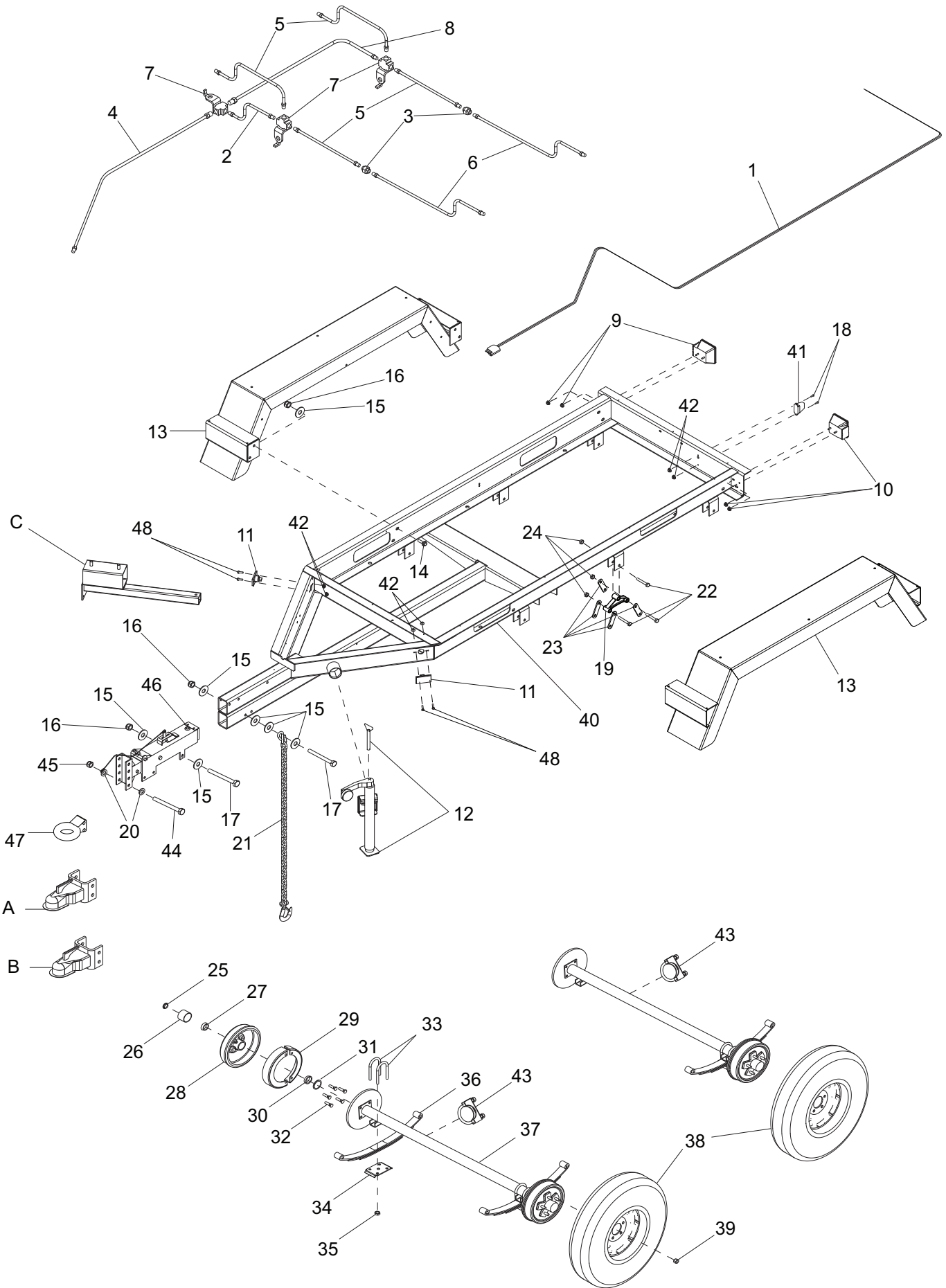
ITEM	PART NO.	QTY	DESCRIPTION	NOTES
1	20916Z	1	Bracket, prop rod	
2	20794	1	Foam, small panel	
3	20668W	1	Panel, end	
4	60268	2	Rivet, .188 dia. x .126 to .250, SS	
5	60505	2	Nut, U-clip .312-18	
--	20819	7	Assy, panel - end	Items 1-2

TRAILER ASSEMBLY - SINGLE AXLE



ITEM	PART NO.	QTY	DESCRIPTION	NOTES
1	23172	1	Harness, wiring	
2	23572	1	Hose, brake - .188x15	Male/male
3	22339	2	Fitting, strt - .188 coupler	
4	23250	1	Hose, brake - .188x94	Male/male
5	23169	2	Line, brake - .188x12.00	
6	40494	1	Line, brake - .188x30.00	
7	19252	1	Fitting, strt - .188 brake line T	
8	65448	1	Light, stop/turn/tail - RH	
9	65449	1	Light, stop/turn/tail - LH	
10	65407	2	Light, clearance marker	Amber
11	23254	1	Jack, 2000 lb top wind	Tube-mounted
12	23256	1	Pin, jack - 2000 lb	Tube-mounted
13	22743B	2	Fender, single wheel	
14	60179	8	Screw, .375-16x.750 std hex	
15	60386	16	Washer, .375 flat .993/.064	
16	60140	8	Nut, .375-16 hex	
17	60376	2	Screw, .500-13x4.5 std hex	
18	60309	12	Washer, .500 flat 1.060/.090	
19	60307	2	Nut, .500-13 nylock	
20	60521	4	Washer, .625 flat 1.743/.108	
21	23367	2	Chain, safety - 7,800 lb rated	
22	60503	6	Screw, shackle, .562-18x3"	
23	19637	4	Plate, shackle bracket	
24	60504	6	Nut, shackle, .562-18 hex	
25	11254	2	Plug, grease cap - for zerk	
26	23170	2	Cap, grease w/rubber plug	
27	26585	2	Outer hub bearing	
28	40958	2	Hub/brake drum, 3500 lb	
29	26571	1	Surge brake assy, LH	
	26572	1	Surge brake assy, RH	
	26573	1	Electric brake assy, LH	Option (not shown)
	26574	1	Electric brake assy, RH	Option (not shown)
30	26576	2	Inner hub bearing	
31	26575	2	Inner grease seal 2.125"	
32	60963	12	Stud, wheel - .500-20, 5000 lb	
33	40875	4	U-bolt, axle	
34	40874	2	Tie plate, axle	
35	11203	8	Nut, axle (U-bolt), 2200 lb	
36	27137	2	Spring, 6000 lb axle	
37	27135	1	Axle, 6000 lb surge	
	27136	1	Axle, 6000 lb electric	Option (not shown)
38	18377	2	Wheel, ST225/75R15	
39	60096	12	Nut, .500-20 wheel lug	Included w/axle
40	23216B	1	Weldment, trailer - single axle	
41	65605	1	Light, license plate - 12V	
42	61105	3	Screw, .500-13x4.5 std hex	
43	60668	3	Nut, .500-13 nylock	
44	60239	2	Screw, .625-11x5 std hex	
45	60240	2	Nut, .625-11 nylock	
46	40529	1	Actuator, hyd surge brake	Adjustable - 7500 lb
47	19335B	1	Coupler, lunette ring - 3" ID	Adjustable
48	60277	6	Screw, 10-32x.500 pan phil	
49	60061	6	Nut, 10-32 nylock	
50	18821	1	Clamp, muffler - 3.00	
A	19518	1	Coupler, 2.00" ball	Option: for adjustable hitch
B	19519	1	Coupler, 2.31" ball	Option: for adjustable hitch
C	24534B	1	Weldment, spare tire carrier	Option

TRAILER ASSEMBLY - TANDEM AXLE



ITEM	PART NO.	QTY	DESCRIPTION	NOTES
1	23172	1	Harness, wiring	
2	23572	1	Hose, brake - .188x15.00	Male/male
3	22339	2	Fitting, strt - .188 coupler	
4	23250	1	Hose, brake - .188x94.00	Male/male
5	23169	4	Line, brake - .188x12.00	
6	40494	2	Line, brake - .188x30.00	
7	19252	3	Fitting, strt - .188 brake line T	With bracket
8	40817	1	Hose, brake - .188x33.00	Male/male
9	65448	1	Light, stop/turn/tail - RH	
10	65449	1	Light, stop/turn/tail - LH	
11	65407	2	Light, clearance marker	Amber
12	13051	1	Jack, assy, 2000 lb top wind	Tube-mounted
13	23141B	2	Weldment, fender	
14	61103	8	Screw, .500-13X1.75 ser flg	
15	60416	22	Washer, .500 flat 1.375/.090	
16	60307	13	Nut, .500-13 nylock	
17	60376	5	Screw, .500-13x4.500 std hex	
18	60244	2	Screw, 8-32x.750 pan phil	
19	40545	2	Equalizer, tandem axle	
20	60521	4	Washer, .625 flat 1.743/.108	
21	23367	2	Chain, safety - 7800 lb rated	
22	60503	14	Screw, shackle, .562-18x3 std hex	
23	19637	8	Plate, shackle bracket	
24	60504	14	Nut, shackle, .562-18 lhex	
25	11254	4	Plug, grease cap - for zerk	
26	11253	4	Cap, grease w/rubber plug, 3500 lb	
27	40956	4	Outer bearing	
28	12311	4	Brake drum - 10" 5 on 4.5"	
29	40764	2	10" Surge brake assy, LH	
	40765	2	10" Surge brake assy, RH	
	26442	2	10" Electric brake assy, LH	Option (not shown)
	26443	2	10" Electric brake assy, RH	Option (not shown)
30	40954	4	Inner bearing	
31	12307	4	Bearing seal DL350	
32	60674	20	Stud, wheel - .500-20	
33	11277	8	U-bolt, axle, 3500 lb	
34	11278	4	Tie plate, axle, 3500 lb	
35	11203	16	Nut, (U-bolt)	
36	26665	4	Spring - 27" 3500 lbs	
37	23100	2	Axle, 3500 lb surge - 80 tandem	
	23101	2	Axle, 3500 lb electric - 80 tandem	Option (not shown)
38	15540	4	Wheel, ST205X75R15	
39	60096	20	Nut, .500-20 lug	Included w/axle
40	23575B	1	Weldment, tandem w/equalizer	
41	65605	1	Light, license plate - 12V	
42	60318	6	Nut, 8-32 hex	
43	61028	2	Clamp, muffler - 2.50 lt duty	U-bolt & saddle
44	60239	2	Screw, .625-11x5 std hex	
45	60240	2	Nut, .625-11 nylock	
46	40529	1	Actuator, hyd surge brake	Adjustable -7500lb
47	19335B	1	Coupler, lunette ring - 3" ID	Adjustable
48	60406	4	Screw, 8-32x1.000 pan phil	
A	19518	1	Coupler, 2.00" ball	Option: for adjustable hitch
B	19519	1	Coupler, 2.31" ball	Option: for adjustable hitch
C	24711B	1	Weldment, spare tire carrier	Option

REV: ORG
PART NO: 30956
04.13.12